

1 2 3 4 5 6 7 8 9 0

J

I

H

G

F

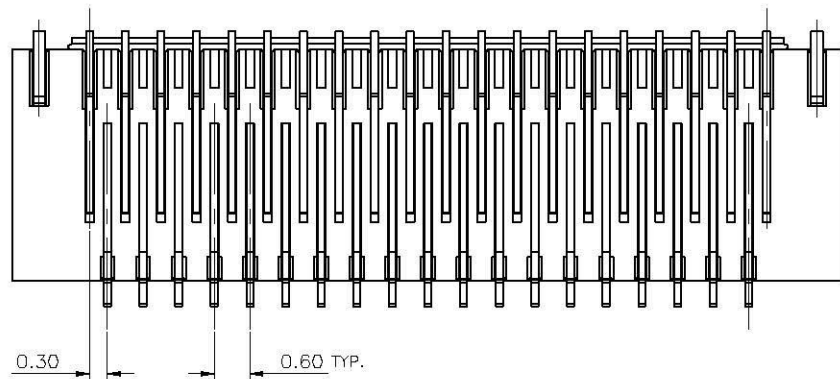
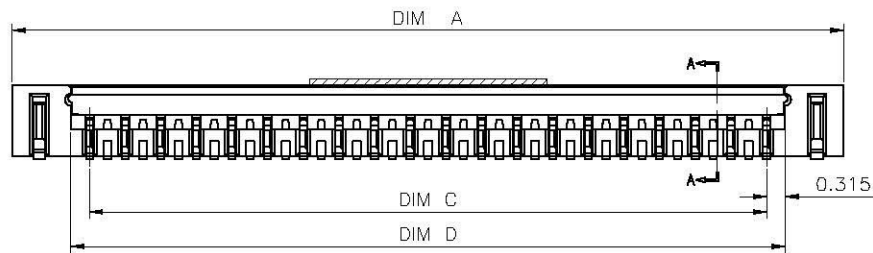
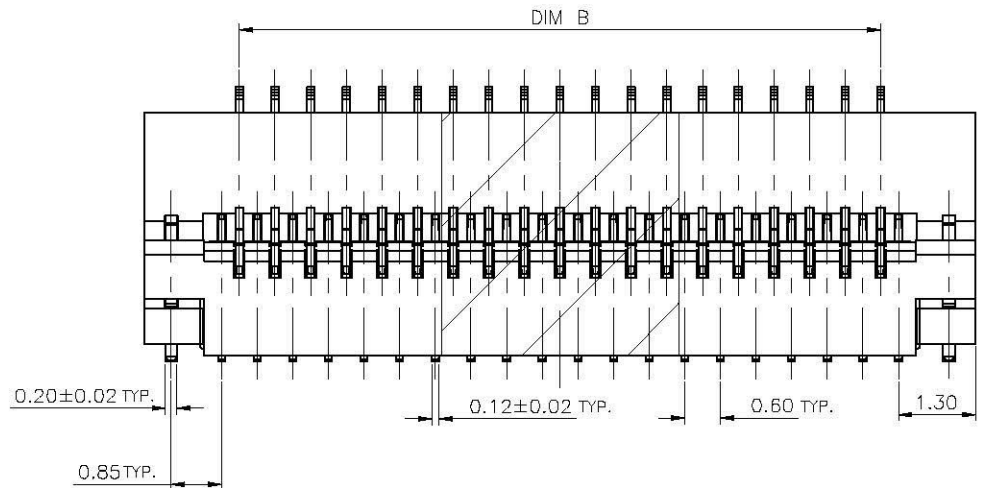
E

D

C

B

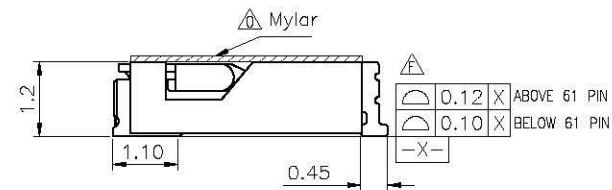
A



NOTES:

- 1. MATERIAL:
 - 1.1 HOUSING: THERMOPLASTIC, HIGH TEMP., UL94V-0; COLOR:NATURAL.
 - 1.2 ACTUATOR: THERMOPLASTIC, HIGH TEMP., UL94V-0; COLOR:BLACK.
 - 1.3 CONTACT: COPPER ALLOY
 - 1.4 FITTING NAIL: COPPER ALLOY
- 2. FINISH:
 - 2.1 CONTACT:
 - UNDERPLATING: 50u" MIN. NICKEL OVERALL.
 - FINISH:SEE ORDER INFORMATION.
 - 2.2 FITTING NAIL:
 - UNDERPLATING: 50u" MIN. NICKEL OVERALL.
 - FINISH:SEE ORDER INFORMATION.
- 3. REFLOW SOLDER CAPABLE TO 260°C PER ACES SPEC.

FPT-WHB-xx-LF
LEADFREE
RoHS Compliant



CKT	Dim A	Dim B	Dim C	Dim D	Dim E
11	5.60	2.40	3.00	3.63	3.60
15	6.80	3.60	4.20	4.83	4.80
17	7.40	4.20	4.80	5.43	5.40
21	8.60	5.40	6.00	6.63	6.60
23	9.20	6.00	6.60	7.23	7.20
25	9.80	6.60	7.20	7.83	7.80
31	11.60	8.40	9.00	9.63	9.60
33	12.20	9.00	9.60	10.23	10.20
39	14.00	10.80	11.40	12.03	12.00
41	14.60	11.40	12.00	12.63	12.60
51	17.60	14.40	15.00	15.63	15.60
61	20.60	17.40	18.00	18.63	18.60
71	23.60	20.40	21.00	21.63	21.60

Allconnectors

www.allconnectors.de
Tel.: 0049 711 7005503
70794 Eilderstadt Germany

info@allconnectors.de
Fax: 0049 711 7005504
Kettelerstr. 28

PART NO. FPT-WHB-xx

DWG NO. FPT-WHB-xx

FILE NO.

UNIT / mm

SCALE 1:1

CHECKED BY CY

DRAWING BY

PROJECTION



TOLERANCES ARE

.X±0.2
.XX±0.1
.XXX±
AWG

DESCRIPTION:

0.3 FPC CONN. ZIF EASY ON ASS'Y (H=1.2)

AREA

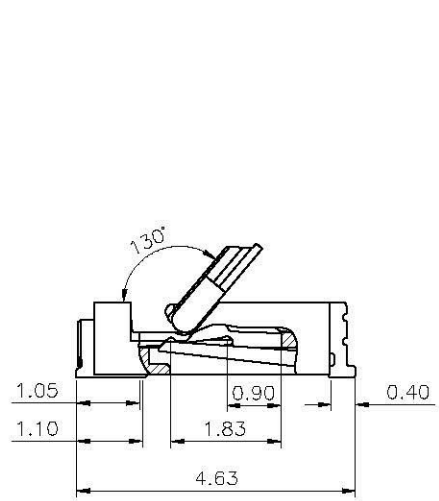
REVISIONS

HK

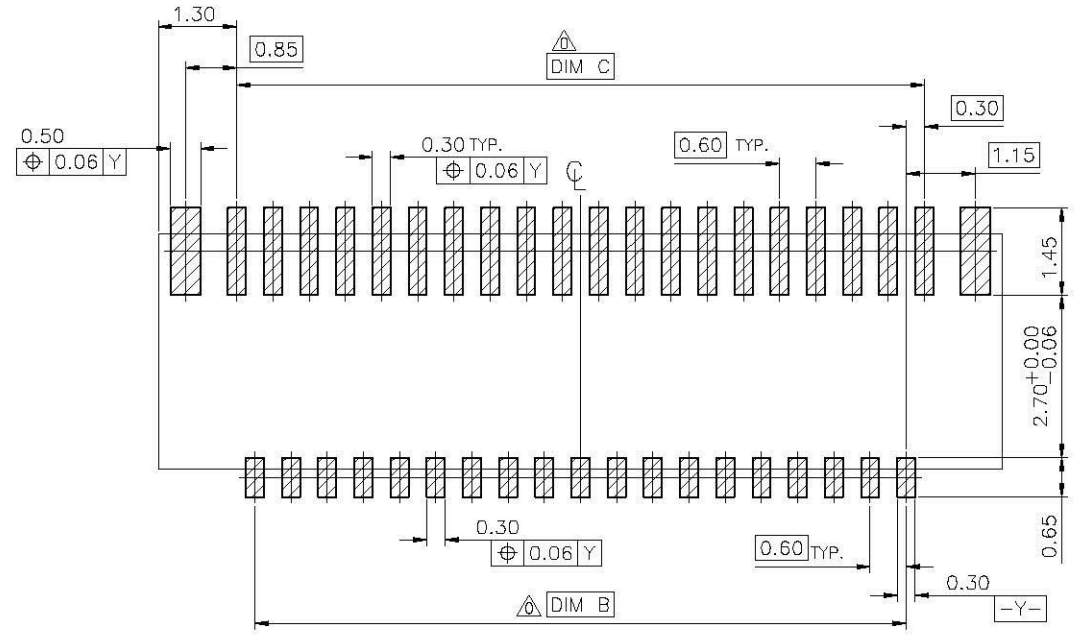
DATE

1 2 3 4 5 6 7 8 9 0

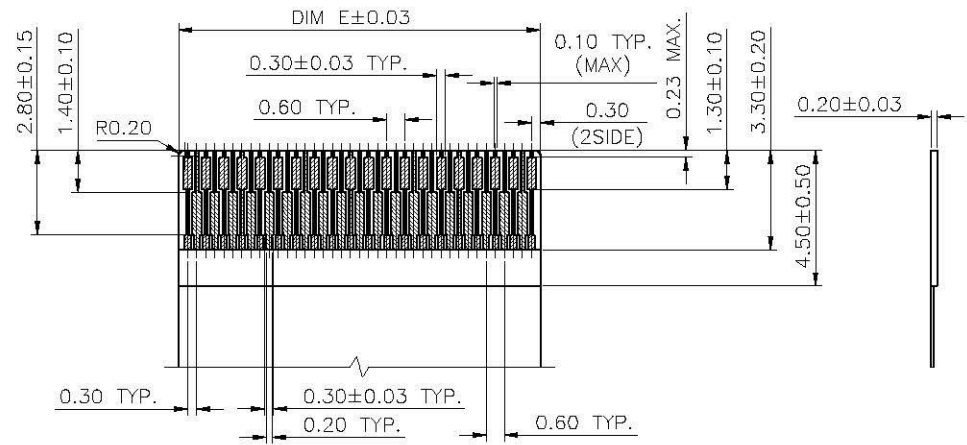
J
I
H
G
F
E
D
C
B
A



SECTION A-A



RECOMMENDED P.C.B. LAYOUT
HATCHED AREA SHOWS SOLDERING LAND.
(TOLERANCE: ±0.05mm)



APPLICABLE FPC RECOMMENDED DIM
(TOLERANCE: ±0.02mm)

Allconnectors

www.allconnectors.de
info@allconnectors.de
Tel: 0049 711 2095003
Fax: 0049 711 2095004
20794 Filderstadt, Germany
Rottenmühl, 25

PART NO. FPT-WHB-xx

DWG NO. FPT-WHB-xx

FILE NO.

UNIT / mm

SCALE 1:1

CHECKED BY CY

DRAWING BY

PROJECTION

TOLERANCES ARE

.X ± 0.2
.XX ± 0.1
.XXX ±
AWG

DESCRIPTION:

0.3 FPC CONN. ZIF EASY ON ASS'Y (H=1.2)

AREA

REVISIONS

HK

DATE

1 2 3 4 5 6 7 8 9 0

J

I

H

G

F

E

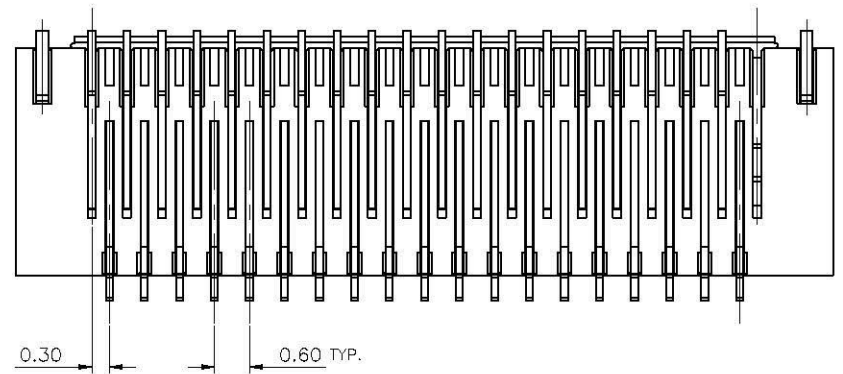
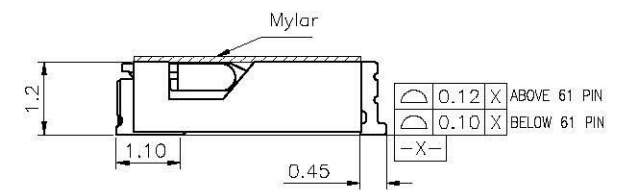
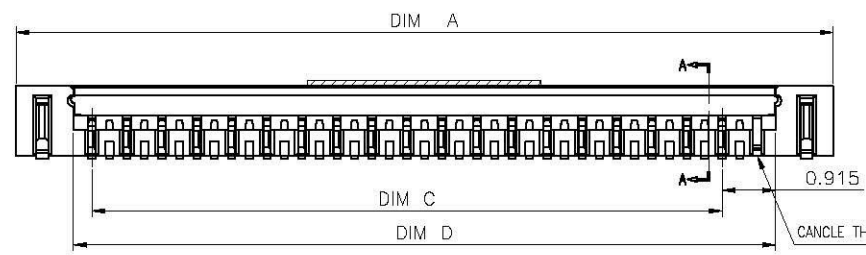
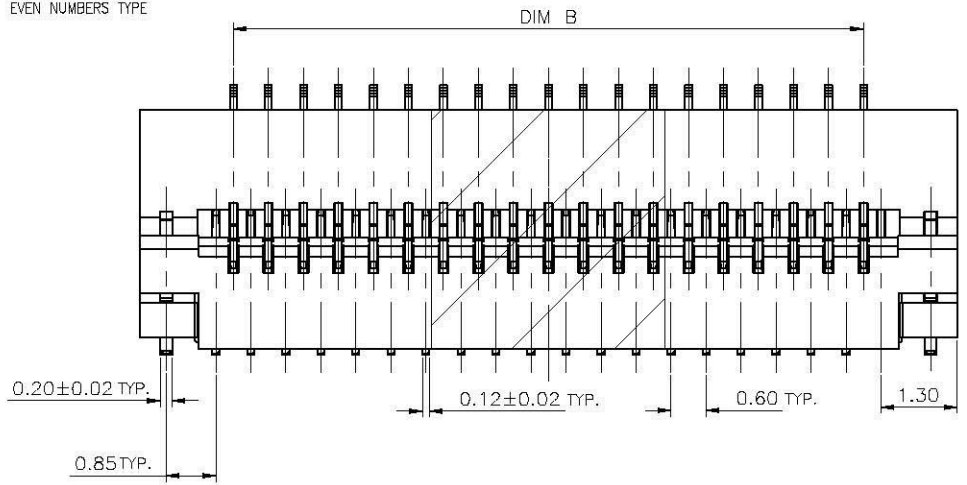
D

C

B

A

EVEN NUMBERS TYPE



CKT	Dim A	Dim B	Dim C	Dim D	Dim E
△ 60	20.60	17.40	17.40	18.63	18.60

Allconnectors
 www.allconnectors.de
 TEL: 0049 711 7009308
 70794 Eilderstadt - Germany

info@allconnectors.de
 Fax: 0049 711 7009309
 Kettnerstr. 25

PART NO. FPT-WHB-xx		CHECKED BY CY		TOLERANCES ARE .X±0.2 .XX±0.1 .XXX± AWG	DESCRIP TION:			
DWG NO. FPT-WHB-xx		DRAWING BY						
FILE NO.		PROJECTION		AREA	REVISIONS	HK	DATE	