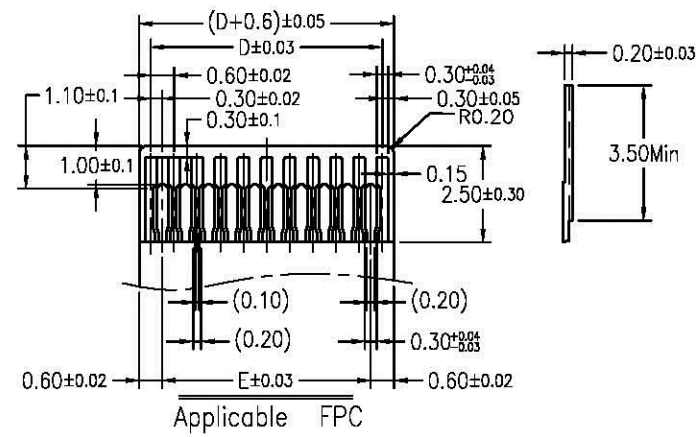
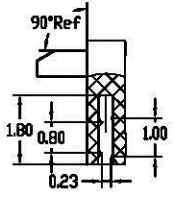
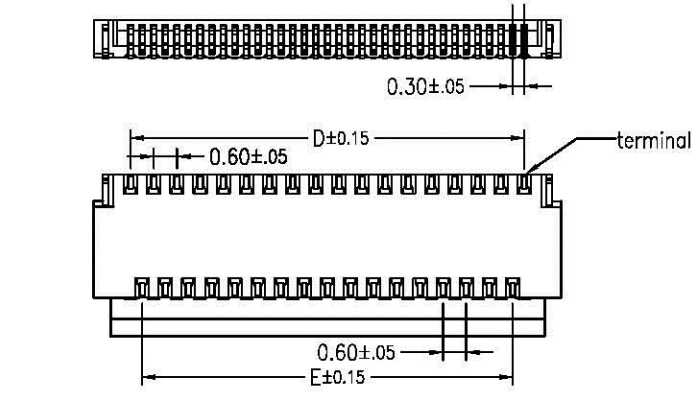
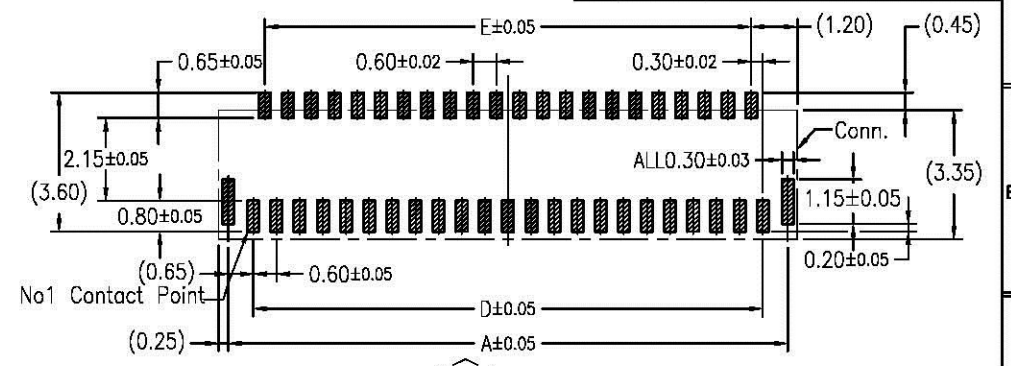
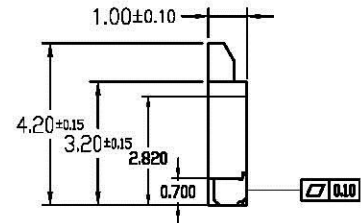
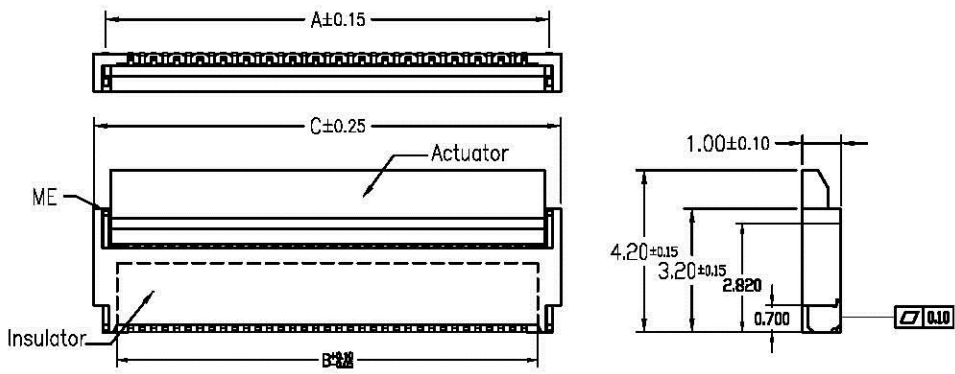


REV.	ECN.NO.	MODIFY.CONTENT	DATE
A			



FPC/FFC Insert Direction
Recommended P.C.B Layout

							41	13.30	12.70	13.90	12.00	11.40
7	3.10	2.50	3.70	1.80	1.20	43	13.90	13.30	14.50	12.60	12.00	
9	3.70	3.10	4.30	2.40	1.80	45	14.50	13.90	15.10	13.20	12.60	
11	4.30	3.70	4.90	3.00	2.40	47	15.10	14.50	15.70	13.80	13.20	
13	4.90	4.30	5.50	3.60	3.00	49	15.70	15.10	16.30	14.40	13.80	
15	5.50	4.90	6.10	4.20	3.60	51	16.30	15.70	16.90	15.00	14.40	
17	6.10	5.50	6.70	4.80	4.20	53	16.90	16.30	17.50	15.60	15.00	
19	6.70	6.10	7.30	5.40	4.80	55	17.50	16.90	18.10	16.20	15.60	
21	7.30	6.70	7.90	6.00	5.40	57	18.10	17.50	18.70	16.80	16.20	
23	7.90	7.30	8.50	6.60	6.00	59	18.70	18.10	19.30	17.40	16.80	
25	8.50	7.90	9.10	7.20	6.60	61	19.30	18.70	19.90	18.00	17.40	
27	9.10	8.50	9.70	7.80	7.20	63	19.90	19.30	20.50	18.60	18.00	
29	9.70	9.10	10.30	8.40	7.80	65	20.50	19.90	21.10	19.20	18.60	
31	10.30	9.70	10.90	9.00	8.40	67	21.10	20.50	21.70	19.80	19.20	
33	10.90	10.30	11.50	9.60	9.00	69	21.70	21.10	22.30	20.40	19.80	
35	11.50	10.90	12.10	10.20	9.60	71	22.30	21.70	22.90	21.00	20.40	
37	12.10	11.50	12.70	10.80	10.20	73	22.90	22.30	23.50	21.60	21.00	
39	12.70	12.10	13.30	11.40	10.80	75	23.50	22.90	24.10	22.20	21.60	
PIN	A	B	C	D	E	PIN	A	B	C	D	E	

NOTES:
 Insulator: LCP;UL94V-0 Rated (Color: Black)
 Actuator: LCP;UL94V-0 Rated (Color: Black)
 Terminal: Phosphor Bronze
 ME: Brass
 Plating: See ordering information

Ordering Information :
 B 0301F ** * D M *
 1 2 3 4

- No. of circuits
- Plating :
T= Tin plated (雾锡) . over nickel overall
U= Gold flash over nickel overall
- Contact type :
D: Lower contact
- Terminal type +packing type :
M1: Smt type & tube packing
M2: Smt type & tape reel

GENEAL TOLERANCE		DRAWN	xiaohu.song	09.17-12	SCALE	PART NO.	B0301F***DM*					
X.	±0.30	x. ± 1°	CHECKED	qiang.zhang	09.17-12	1/1	TITLE	0.3 Pitch FPC Connector				
X.X	±0.25	.x ±0.1°	APPROVED	yewen.xie	09.17-12	UNITS	MM	成品SPEC图				
X.XX	±0.20		File NO.	B030101S								
X.XXX	±0.10		REV.									
SHEET	1/1	Q'TY	1	A								

