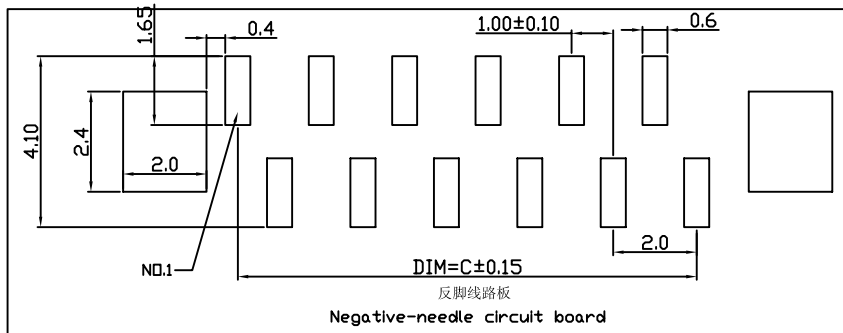
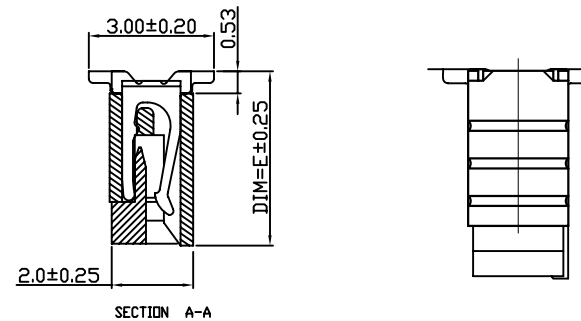


Electrical Characteristics:
 Current rating: 0.5A AC/DC
 Voltage rating: 50V AC/DC
 Temperature range: -25°C~+85°C
 Withstand Voltage: 500V AC/Minute
 Contact Resistance: 20mΩ
 Insulation resistance: 800mΩ
 Relative Humidity: 93%+40°C

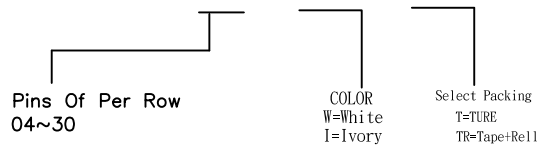
Material Description:
 Terminal: Phosphor Bronze
 Fitting Nail: Brass
 Housing: LCP(UL94V-0)
 Slider: LCP(UL94V-0)
 All materials must meet Greenconn requirement for environment protection




PIN数	DIM-A	DIM-B	DIM-C	DIM-D	DIM-E
30P	36.1	34.8	29.00	30.1	4.9
29P	35.1	33.8	28.00	30.1	
28P	34.1	32.8	27.00	29.1	
27P	33.1	31.8	26.00	28.1	
26P	32.1	30.8	25.00	27.1	
25P	31.1	29.8	24.00	26.1	
24P	30.1	28.8	23.00	25.1	
23P	29.1	27.8	22.00	24.1	
22P	28.1	26.8	21.00	23.1	
21P	27.1	25.8	20.00	22.1	
20P	26.1	24.8	19.00	21.1	
19P	25.1	23.8	18.00	20.1	
18P	24.1	22.8	17.00	19.1	
17P	23.1	21.8	16.00	18.1	
16P	22.1	20.8	15.00	17.1	
15P	21.1	19.8	14.00	16.1	
14P	20.1	18.8	13.00	15.1	
13P	19.1	17.8	12.00	14.1	
12P	18.1	16.8	11.00	13.1	
11P	17.1	15.8	10.00	12.1	
10P	16.1	14.8	9.00	11.1	
9P	15.1	13.8	8.00	10.1	
8P	14.1	12.8	7.00	9.1	
7P	13.1	11.8	6.00	8.1	
6P	12.1	10.8	5.00	7.1	
5P	11.1	9.8	4.00	6.1	
4P	10.1	8.8	3.00	5.1	

Ordering Information

FCZGSV1 - X 1 X X



GENERAL TOLERANCE	ANGLE TOLERANCE	DESIGN	DATE	 www.allconnectors.eu info@allconnectors.eu Tel. +49 (0)711 / 358 110 20 Fax +49 (0)711 / 358 110 25	
X. ±0.38 .XX ±0.25 .XXX ±0.13	X°. ±5° .X° ±2° .XX° ±1° .XXX° ±0.5°	Andy2009.08.12			
UNIT:mm	SCALE 1:1	APPRO.	DATE	PART NO	FCZGSV1-X1XX
A4	SHEET: 1 of 1			DRAWING NO.	FCZGSV1-01
					REV.AO