

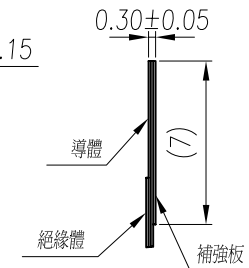
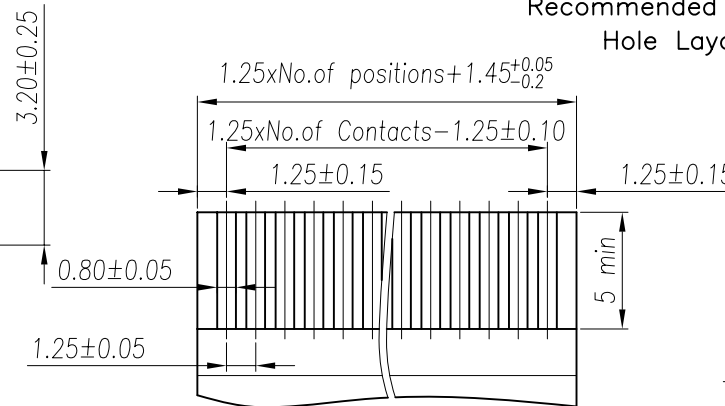
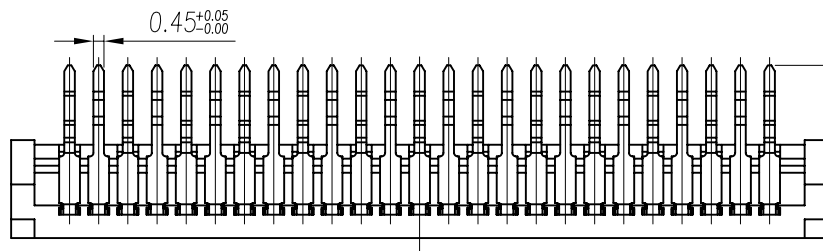
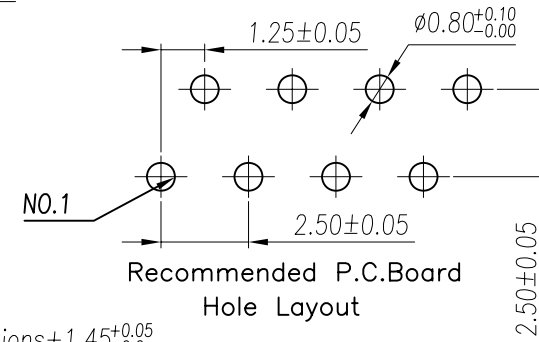
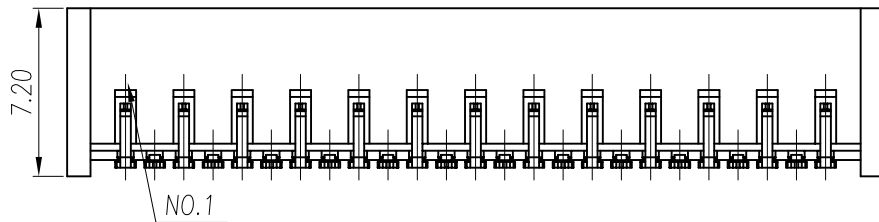
**Specifications**

Current Rating: 1Amp  
 Voltage Rating: 200V AC  
 Dielectric Withstanding: 500V AC  
 Insulation Resistance: 1000MΩ Min.  
 Contact Resistance: 20MΩ Min.  
 Operating Temperature: -25°C to +85°C  
**Materials**

Contact Material: Phosphor Bronze  
 Insulation Material: Polyester, UL 94V-0

Nylon 6T

All materials must be GP materials



**Ordering Information**

FCLHR1B - X 1 X X

Pins Of Per Row  
 08, 10, 11, 12, 13, 14,  
 15, 17, 20, 25, 29, 32, 30

COLOR  
 W=White  
 I=Ivory

Select Packing  
 T=TURE  
 TR=Tape+Re11

GENERAL TOLERANCE	ANGLE TOLERANCE	DESIGN	DATE
X. ± 0.38 .X ± 0.25 .XX ± 0.13 .XXX ± 0.13	X' ± 5° .X' ± 2° .XX' ± 1° .XXX' ± 0.5°	Andy2009.08.12	
UNIT:mm	SCALE 1:1	CHECK	DATE
A4	SHEET: 1 of 1	APPRO.	DATE

<b>All Connectors</b>	
www.allconnectors.eu   info@allconnectors.eu Tel. +49 (0)711 / 358 110 20   Fax +49 (0)711 / 358 110 25	
FILE NAME	1.25 MM FPC R/A Type
PART NO	FCLHR1B-X1XX
DRAWING NO.	FCLHR1B-01
	REV.A0