

NOTE:

1.MATERIAL:

HOUSING:LCP(UL94V-0)
 ACTUATOR:LCP(UL94V-0)
 TERMINAL:PHOSPHOR BRONZE

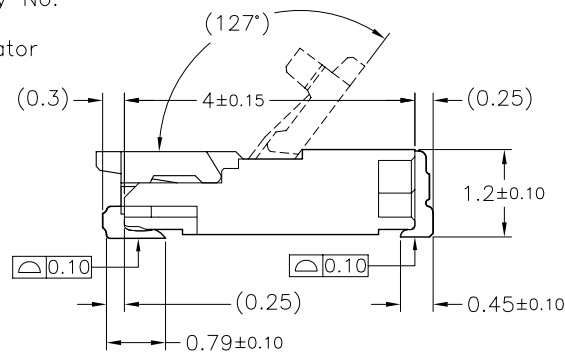
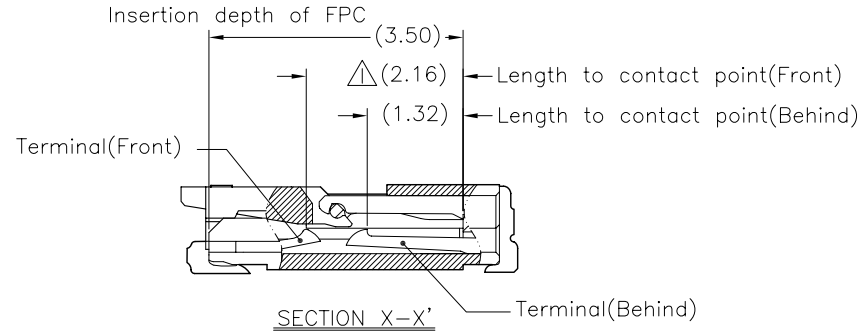
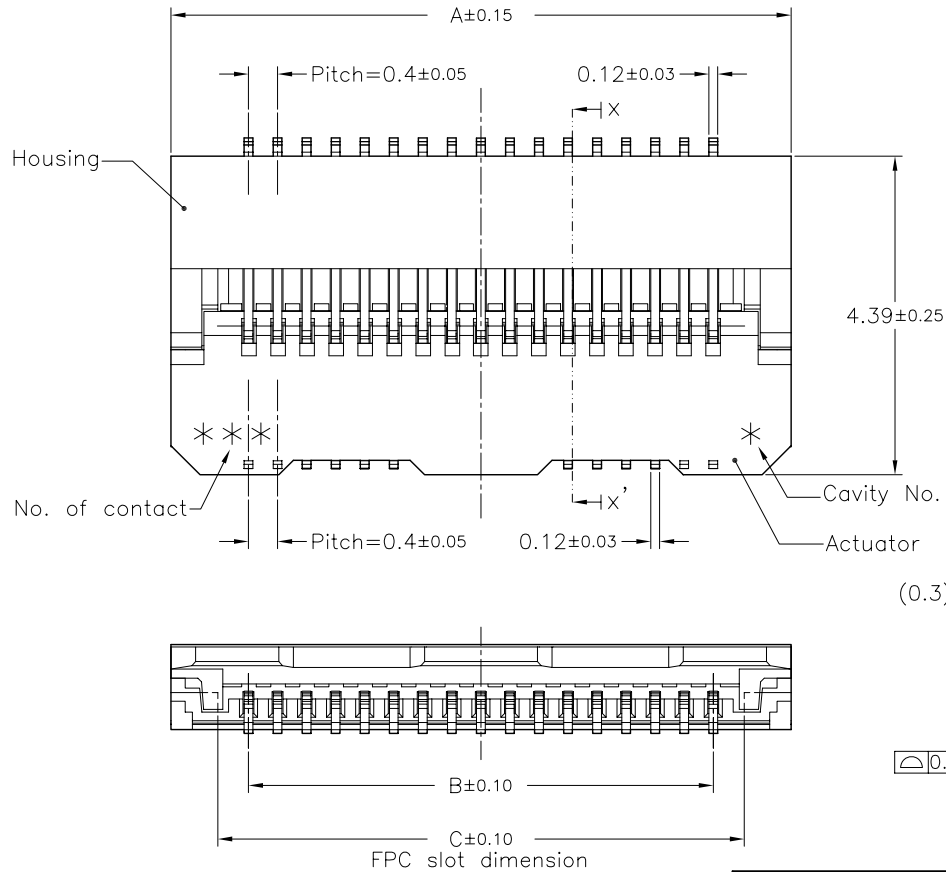
3.RATING:

OPERATING VOLTAGE:40V
 CURRENT RATING:0.25A
 OPERATING TEMPERATURE:-55°C ~ +85°C
 OPERATING HUMIDITY RANGE:RELATIVE HUMIDITY 90% MAX
 (NO CONDENSATION)
 STORAGE TEMPERATURE RANGE:-10°C ~ +50°C
 STORAGE HUMIDITY RANGE:RELATIVE HUMIDITY 90% MAX
 (NO CONDENSATION)

2.PART NO. :

BL140- xxx RL - TA x Δ
 SERIES NO. OF CONTACTS
 PACKAGE
 TA-EMBOSSED TAPE
 RIGHT ANGLE(LOWER CONTACT TYPE)
 GF:1u"~3u" GOLD OVER NICKEL

REV.	ECO NO.	DATE	SIGN	DESCRIPTION
H	EC0100105	20100114	Johnny	: S
I	ECN100315	20100414	Johnny	1. CREAT CARTON DRAWING 2. MODIFY TERMINAL(FRONT) DIM.
J	ECN100507	20100507	Johnny	Modify drawing.



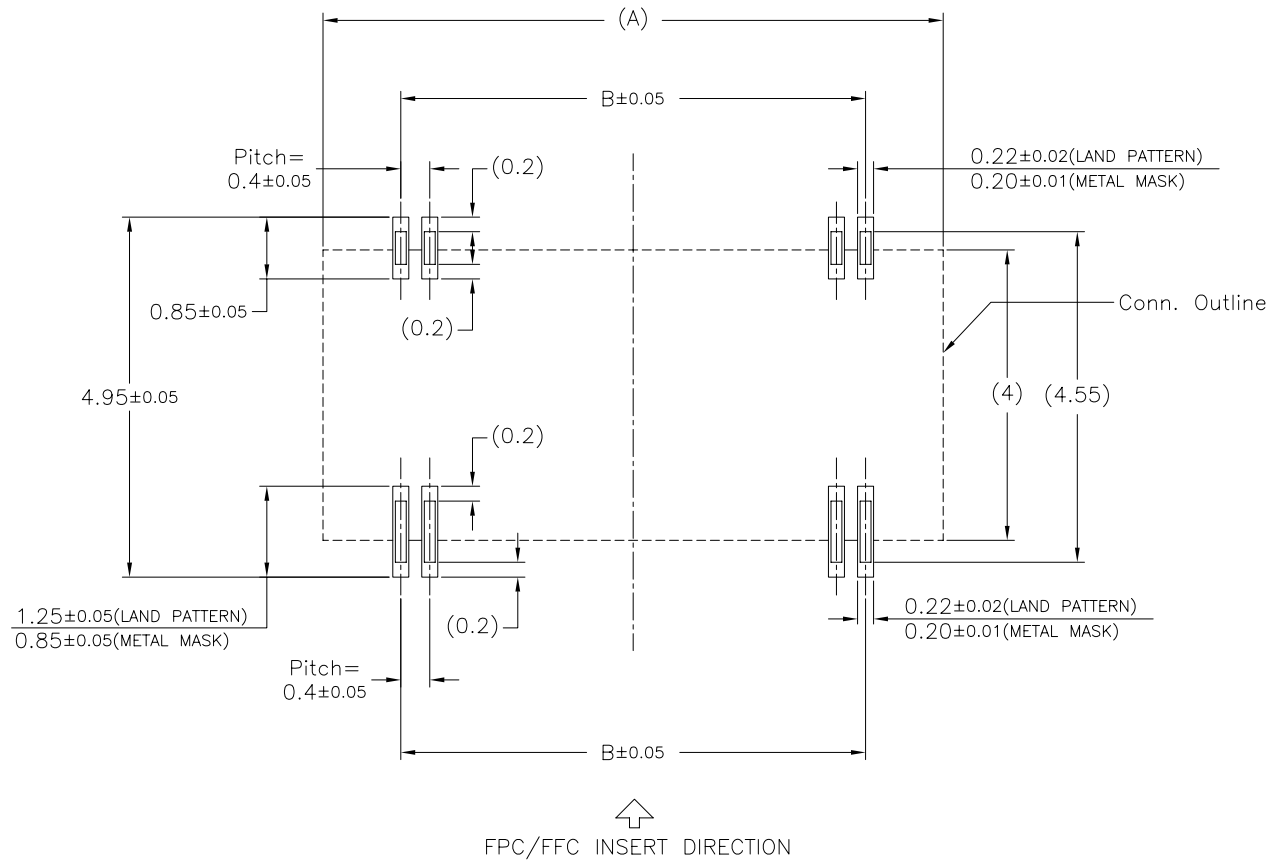
No.of Contacts	Part Number	DIM. A	DIM. B	DIM. C
024	BL140-024RL	6.54	4.4	5.27
034	BL140-034RL	8.54	6.4	7.27
040	BL140-040RL	9.74	7.6	8.47
044	BL140-044RL	10.54	8.4	9.27
050	BL140-050RL	11.74	9.6	10.47
060	BL140-060RL	13.74	11.6	12.47
068	BL140-068RL	15.34	13.2	14.07
070	BL140-070RL	15.74	13.6	14.47
080	BL140-080RL	17.74	15.6	16.47
090	BL140-090RL	19.74	17.6	18.47
100	BL140-100RL	21.74	19.6	20.47
120	BL140-120RL	25.74	23.6	24.47

TOLERANCE UNLESS SPECIFIED		SHEET 1/5	DR. BY Johnny	MATERIAL See Note 1.
LINEAR	ANGLE			
X XX	X° XX	SCALE 10/1	CHK. BY Robbie	FINISH See Note 2.
XX XX	.X° XX	UNIT mm	APP. BY Robbie	PART NO. See Note 2.
XXXXX	.XX° XX			

Allconnectors
www.allconnectors.eu | info@allconnectors.eu
 Tel. +49 (0)711 358 110 20 | Fax +49 (0)711 358 110 25

	TITLE	0.2 Pitch,H=1.2mm FPC Conn.
	DWG NO.	BL140-xxxRL-TAx

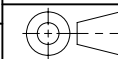
REV.	ECO NO.	DATE	SIGN	DESCRIPTION
H	EC0100105	20100114	Johnny	: S
I	ECN100315	20100414	Johnny	1. GREAT CARTON DRAWING 2. MODIFY TERMINAL(FRONT) DIM.
J	ECN100507	20100507	Johnny	Modify drawing.



PCB Layout

No. of Contacts	Part Number	DIM. A	DIM. B
024	BL140-024RL	6.54	4.4
034	BL140-034RL	8.54	6.4
040	BL140-040RL	9.74	7.6
044	BL140-044RL	10.54	8.4
050	BL140-050RL	11.74	9.6
060	BL140-060RL	13.74	11.6
068	BL140-068RL	15.34	13.2
070	BL140-070RL	15.74	13.6
080	BL140-080RL	17.74	15.6
090	BL140-090RL	19.74	17.6
100	BL140-100RL	21.74	19.6
120	BL140-120RL	25.74	23.6

TOLERANCE UNLESS SPECIFIED		SHEET 2/5	DR. BY Johnny	MATERIAL
LINEAR	ANGLE			
\times XX	\times XX	SCALE 1/10	CHK. BY Robbie	FINISH
XX XX	.X XX			
XXXX	.XX XX	UNIT mm	APP. BY Robbie	PART NO.

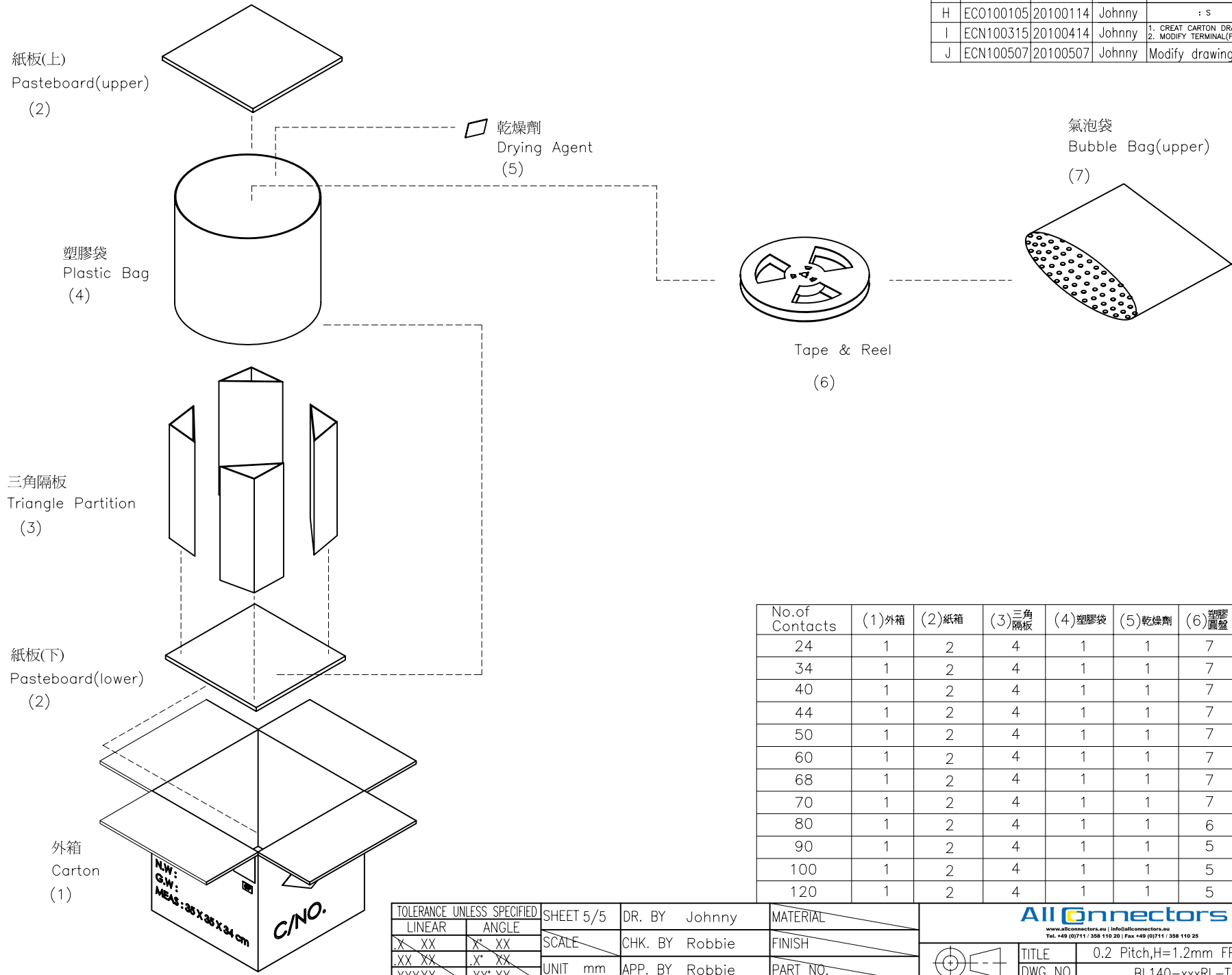


Allconnectors

www.allconnectors.eu | info@allconnectors.eu
Tel: +49 (0)711 358 110 20 | Fax: +49 (0)711 358 110 25

TITLE 0.2 Pitch, H=1.2mm FPC Conn.
DWG NO. BL140-xxxRL-TAx

REV.	ECO NO.	DATE	SIGN	DESCRIPTION
H	ECO100105	20100114	Johnny	: S
I	ECN100315	20100414	Johnny	1. CREAT CARTON DRAWING 2. MODIFY TERMINAL(FRONT) DIM.
J	ECN100507	20100507	Johnny	Modify drawing.



No.of Contacts	(1)外箱	(2)紙箱	(3)三角隔板	(4)塑膠袋	(5)乾燥劑	(6)塑膠圓盤	(7)氣泡袋
24	1	2	4	1	1	7	14
34	1	2	4	1	1	7	14
40	1	2	4	1	1	7	14
44	1	2	4	1	1	7	14
50	1	2	4	1	1	7	14
60	1	2	4	1	1	7	14
68	1	2	4	1	1	7	14
70	1	2	4	1	1	7	14
80	1	2	4	1	1	6	12
90	1	2	4	1	1	5	10
100	1	2	4	1	1	5	10
120	1	2	4	1	1	5	10

TOLERANCE UNLESS SPECIFIED		SHEET 5/5	DR. BY Johnny	MATERIAL
LINEAR	ANGLE			
.X XX	.X* XX	SCALE	CHK. BY Robbie	FINISH
.XX XX	.X* XX			
.XXX XX	.XX* XX	UNIT mm	APP. BY Robbie	PART NO.

Allconnectors
www.allconnectors.eu | info@allconnectors.eu
Tel: +49 (0)711 358 110 20 | Fax: +49 (0)711 358 110 25

	TITLE	0.2 Pitch,H=1.2mm FPC Conn.
	DWG NO.	BL140-xxxRL-TAx