

NOTE:

1.MATERIAL:

HOUSING: LCP(UL94V-0)
 ACTUATOR: LCP(UL94V-0)
 TERMINAL: PHOSPHOR BRONZE
 SOLDER PAD: PHOSPHOR BRONZE

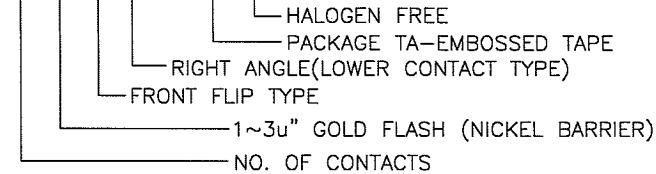
2.PLATING:

TERMINAL: GOLD OVER NICKEL
 SOLDER PAD: GOLD OVER NICKEL

3.PART NO.:

BL309-xxS22-TAHO

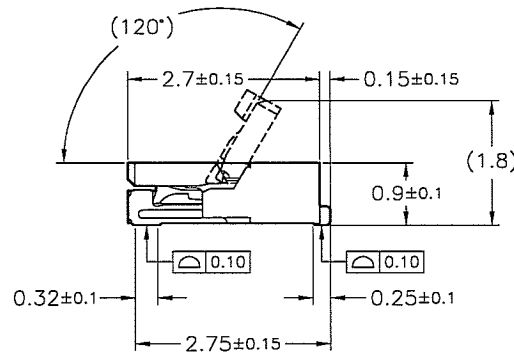
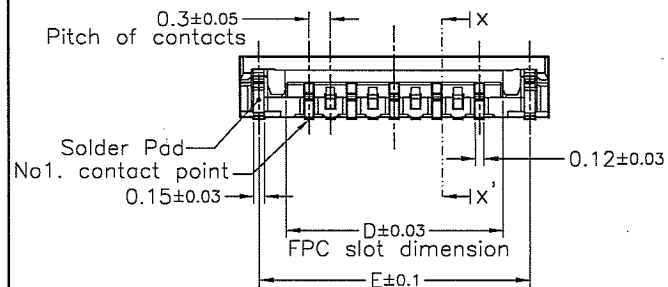
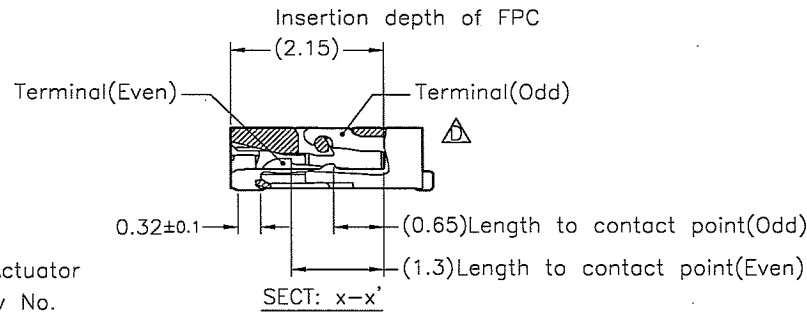
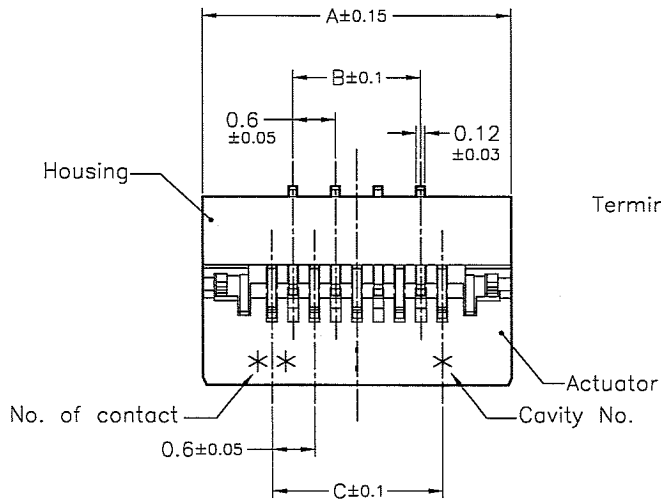
SERIES



4.RATING:

OPERATING VOLTAGE:50V AC
 CURRENT RATING:0.2A
 OPERATING TEMPERATURE:-40°C ~ +85°C
 OPERATING HUMIDITY RANGE:RELATIVE HUMIDITY 85% MAX (NO CONDENSATION)
 STORAGE TEMPERATURE RANGE:-10°C ~ +50°C
 STORAGE HUMIDITY RANGE:RELATIVE HUMIDITY 85% MAX (NO CONDENSATION)

REV.	ECO NO.	DATE	SIGN	DESCRIPTION
B	ECN101010	20101021	Nicole	Addition DIM.D
C	ECN101226	20101230	Anson	Modify profile.
D	ECN110303	20110307	Anson	Modify profile.

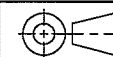


No. of Contacts	Part Number	DIM. A	DIM. B	DIM. C	DIM. D	DIM. E
09	BL309-09S22	4.35	1.8	2.4	3.06	3.82
11	BL309-11S22	4.95	2.4	3.0	3.66	4.42
13	BL309-13S22	5.55	3.0	3.6	4.26	5.02
15	BL309-15S22	6.15	3.6	4.2	4.86	5.62
17	BL309-17S22	6.75	4.2	4.8	5.46	6.22
19	BL309-19S22	7.35	4.8	5.4	6.06	6.82
21	BL309-21S22	7.95	5.4	6.0	6.66	7.42
23	BL309-23S22	8.55	6.0	6.6	7.26	8.02
25	BL309-25S22	9.15	6.6	7.2	7.86	8.62
27	BL309-27S22	9.75	7.2	7.8	8.46	9.22
29	BL309-29S22	10.35	7.8	8.4	9.06	9.82
31	BL309-31S22	10.95	8.4	9.0	9.66	10.42
33	BL309-33S22	11.55	9.0	9.6	10.26	11.02
35	BL309-35S22	12.15	9.6	10.2	10.86	11.62
37	BL309-37S22	12.75	10.2	10.8	11.46	12.22
39	BL309-39S22	13.35	10.8	11.4	12.06	12.82
41	BL309-41S22	13.95	11.4	12.0	12.66	13.42
43	BL309-43S22	14.55	12.0	12.6	13.26	14.02
45	BL309-45S22	15.15	12.6	13.2	13.86	14.62
49	BL309-49S22	16.35	13.8	14.4	15.06	15.82
51	BL309-51S22	16.95	14.4	15.0	15.66	16.42
57	BL309-57S22	18.75	16.2	16.8	17.46	18.22
61	BL309-61S22	19.95	17.4	18.0	18.66	19.42
67	BL309-67S22	21.75	19.2	19.8	20.46	21.22
71	BL309-71S22	22.95	20.4	21.0	21.66	22.42

TOLERANCE UNLESS SPECIFIED		SHEET 1/5	DR. BY 陳志祥	MATERIAL See Note 1.
LINEAR	ANGLE	SCALE 10/1	CHK. BY 陳彥麟	FINISH See Note 2.
.X XX	.X XX	UNIT mm	APP. BY 陳彥麟	PART NO. See Note 3.
.XX XX	.X XX			
.XXX XX	.XX XX			

Allconnectors.eu | Info@allconnectors.eu

Tel: +49 (0)711 358 110 20 | Fax: +49 (0)711 358 110 25



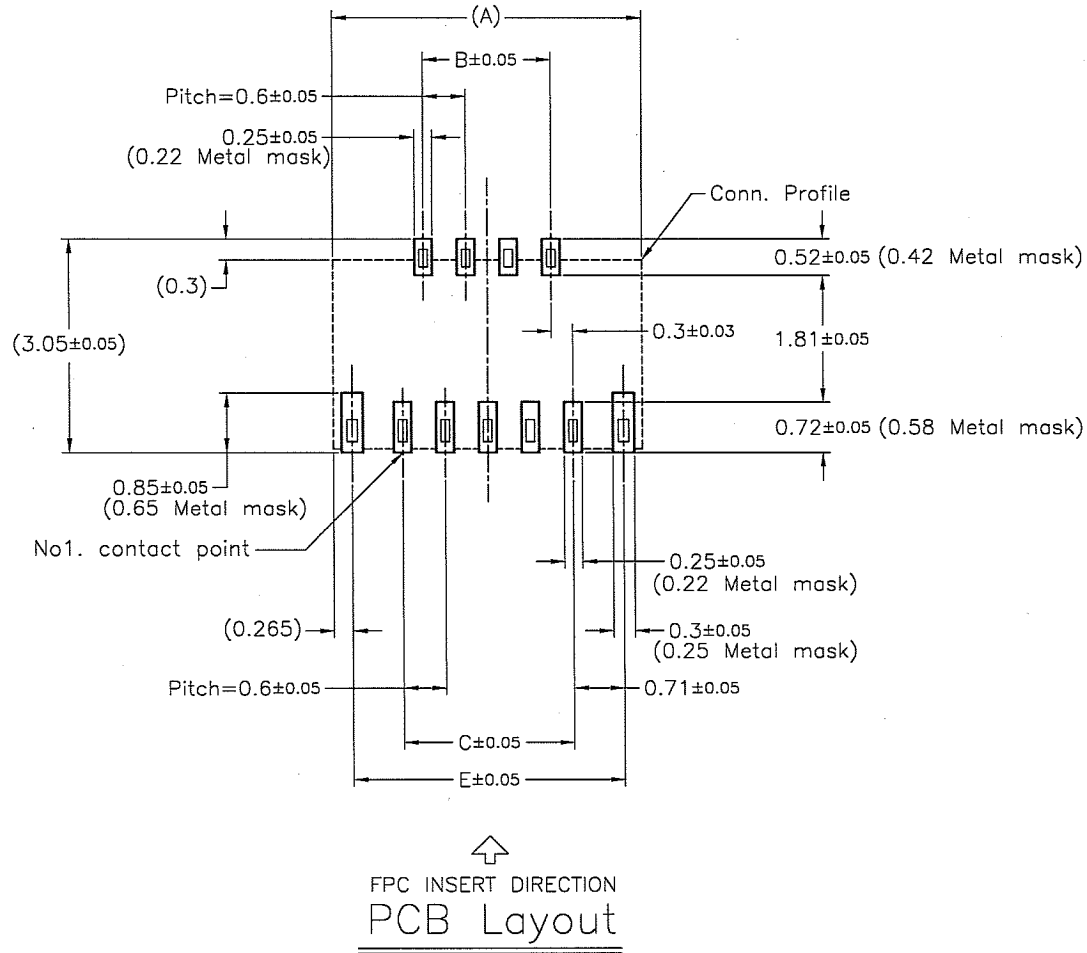
TITLE

0.3 Pitch, H=0.9mm FPC Conn.

DWG NO.

BL309-xxS22-TAHO

Recommended metal mask thickness: $t=0.1\text{mm}$



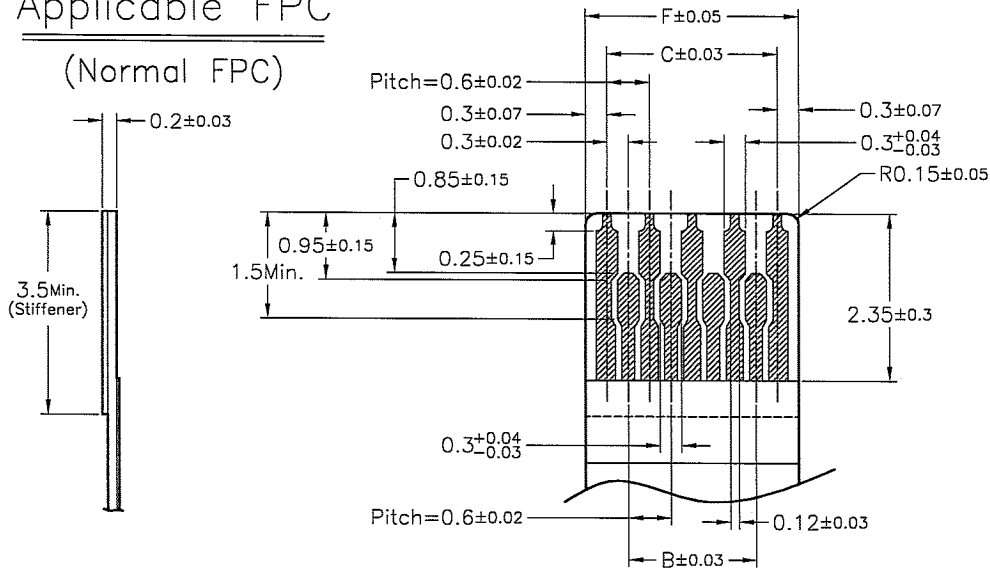
REV.	ECO NO.	DATE	SIGN	DESCRIPTION
B	ECN101010	20101021	Nicole	Addition DIM.D Δ
C	ECN101226	20101230	Anson	Modify profile.
D	ECN110303	20110307	Anson	Modify profile. Δ

No. of Contacts	Part Number	DIM. A	DIM. B	DIM. C	DIM. E
09	BL309-09S22	4.35	1.8	2.4	3.82
11	BL309-11S22	4.95	2.4	3.0	4.42
13	BL309-13S22	5.55	3.0	3.6	5.02
15	BL309-15S22	6.15	3.6	4.2	5.62
17	BL309-17S22	6.75	4.2	4.8	6.22
19	BL309-19S22	7.35	4.8	5.4	6.82
21	BL309-21S22	7.95	5.4	6.0	7.42
23	BL309-23S22	8.55	6.0	6.6	8.02
25	BL309-25S22	9.15	6.6	7.2	8.62
27	BL309-27S22	9.75	7.2	7.8	9.22
29	BL309-29S22	10.35	7.8	8.4	9.82
31	BL309-31S22	10.95	8.4	9.0	10.42
33	BL309-33S22	11.55	9.0	9.6	11.02
35	BL309-35S22	12.15	9.6	10.2	11.62
37	BL309-37S22	12.75	10.2	10.8	12.22
39	BL309-39S22	13.35	10.8	11.4	12.82
41	BL309-41S22	13.95	11.4	12.0	13.42
43	BL309-43S22	14.55	12.0	12.6	14.02
45	BL309-45S22	15.15	12.6	13.2	14.62
49	BL309-49S22	16.35	13.8	14.4	15.82
51	BL309-51S22	16.95	14.4	15.0	16.42
57	BL309-57S22	18.75	16.2	16.8	18.22
61	BL309-61S22	19.95	17.4	18.0	19.42
67	BL309-67S22	21.75	19.2	19.8	21.22
71	BL309-71S22	22.95	20.4	21.0	22.42

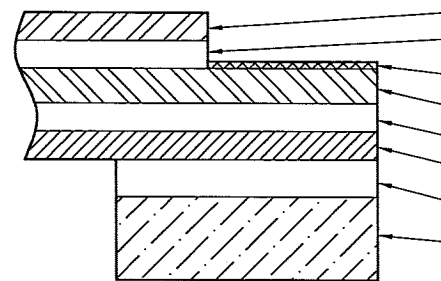
TOLERANCE UNLESS SPECIFIED		SHEET 2/5	DR. BY 陳志祥	MATERIAL See Note 1.
LINEAR	ANGLE	SCALE 10/1	CHK. BY 陳彥麟	FINISH See Note 2.
.X XX	.X XX	UNIT mm	APP. BY 陳彥麟	PART NO. See Note 3.
.XX XX	.X XX			
XXXXX	XX XX			

Allconnectors	
<small>www.allconnectors.eu info@allconnectors.eu Tel. +49 (0)711 358 110 20 Fax +49 (0)711 358 110 25</small>	
	TITLE 0.3 Pitch, H=0.9mm FPC Conn.
DWG NO.	BL309-xxS22-TAHO

Applicable FPC (Normal FPC)

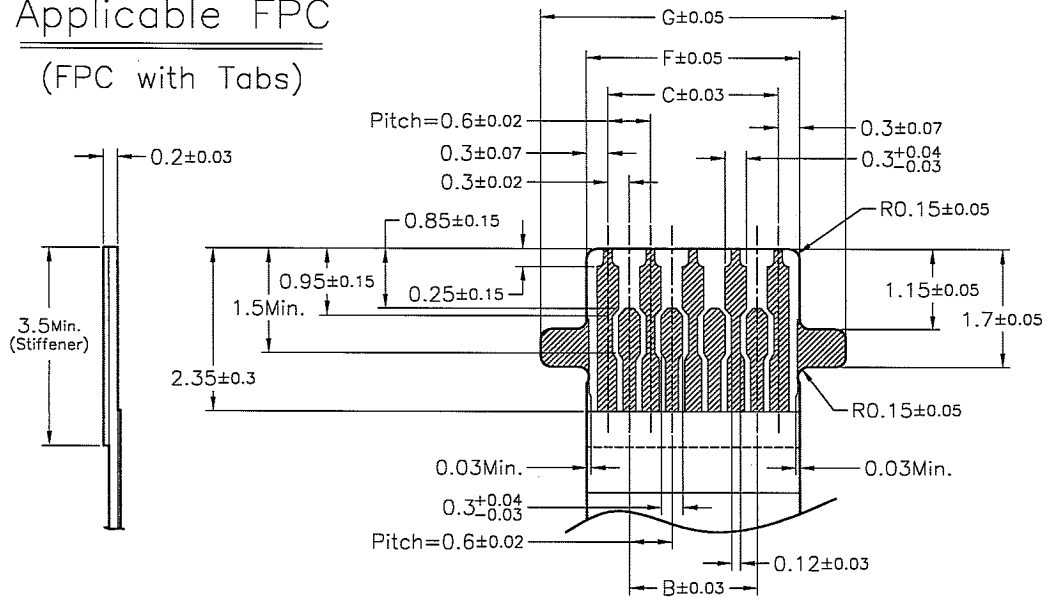


FPC CONSTRUCTION (Recommended Specification)



Description	Material	t(um)
Cover Film	Polyamide 1 mil thick.	25
Cover Adhesive		25
Plating	1 um to 5 um Nickel underplated 0.2 um Gold plated	(3)
Copper Foil	Cu 1 oz	35
Base Adhesive	Heat-hardened adhesive	25
Base Film	Polyamide 1 mil thick.	25
Reinforcement material adhesive	Heat-hardened adhesive	40
Stiffener	Polyamide 3 mil thick.	75

Applicable FPC (FPC with Tabs)

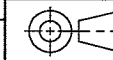


No. of Contacts	Part Number	DIM. B	DIM. C	DIM. F	DIM. G
09	BL309-09S22	1.8	2.4	3.0	4.3
11	BL309-11S22	2.4	3.0	3.6	4.9
13	BL309-13S22	3.0	3.6	4.2	5.5
15	BL309-15S22	3.6	4.2	4.8	6.1
17	BL309-17S22	4.2	4.8	5.4	6.7
19	BL309-19S22	4.8	5.4	6.0	7.3
21	BL309-21S22	5.4	6.0	6.6	7.9
23	BL309-23S22	6.0	6.6	7.2	8.5
25	BL309-25S22	6.6	7.2	7.8	9.1
27	BL309-27S22	7.2	7.8	8.4	9.7
29	BL309-29S22	7.8	8.4	9.0	10.3
31	BL309-31S22	8.4	9.0	9.6	10.9
33	BL309-33S22	9.0	9.6	10.2	11.5
35	BL309-35S22	9.6	10.2	10.8	12.1
37	BL309-37S22	10.2	10.8	11.4	12.7
39	BL309-39S22	10.8	11.4	12.0	13.3
41	BL309-41S22	11.4	12.0	12.6	13.9
43	BL309-43S22	12.0	12.6	13.2	14.5
45	BL309-45S22	12.6	13.2	13.8	15.1
49	BL309-49S22	13.8	14.4	15.0	16.3
51	BL309-51S22	14.4	15.0	15.6	16.9
57	BL309-57S22	16.2	16.8	17.4	18.7
61	BL309-61S22	17.4	18.0	18.6	19.9
67	BL309-67S22	19.2	19.8	20.4	21.7
71	BL309-71S22	20.4	21.0	21.6	22.9

TOLERANCE UNLESS SPECIFIED		SHEET 3/5	DR. BY 陳志祥	MATERIAL See Note 1.
LINEAR	ANGLE	SCALE 10/1	CHK. BY 陳彥麟	FINISH See Note 2.
.X XX	.X XX	UNIT mm	APP. BY 陳彥麟	PART NO. See Note 3.
.XX XX	.X XX			
.XXXX	.XX XX			

Allconnectors

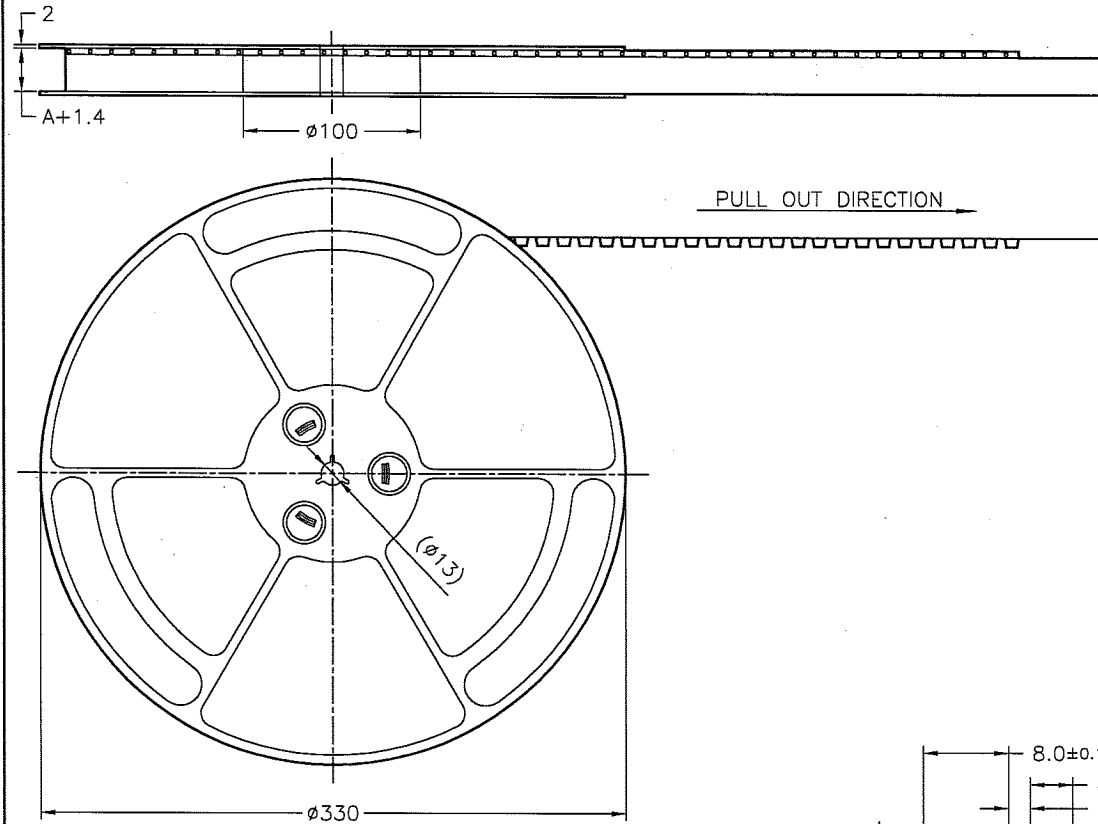
www.allconnectors.eu | info@allconnectors.eu
Tel: +49 (0)711 358 110 20 | Fax: +49 (0)711 358 110 25



TITLE	0.3 Pitch, H=0.9mm FPC Conn.
DWG NO.	BL309-xxS22-TAHO

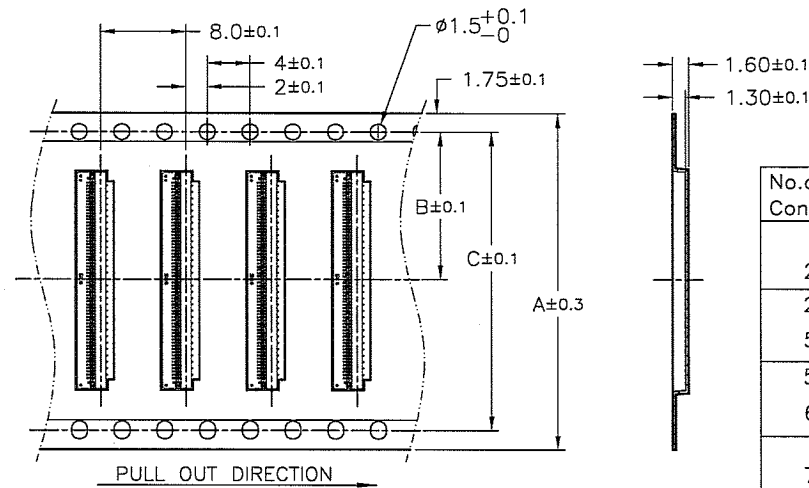
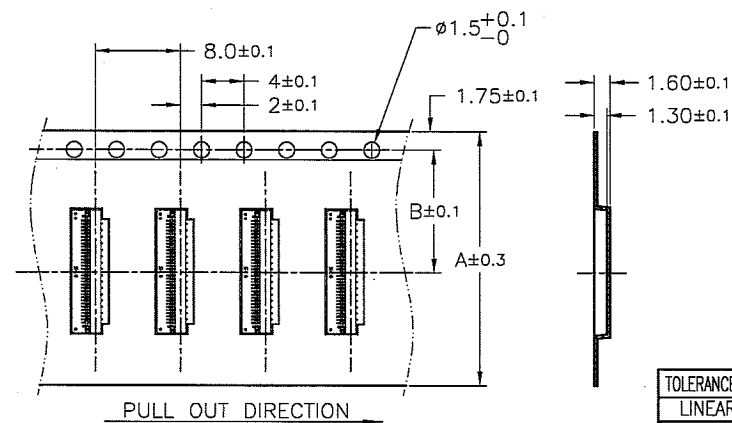
EMBOSSED TAPE PACKING BL309 SERIES RIGHT ANGLE TYPE

REV.	ECO NO.	DATE	SIGN	DESCRIPTION
B	ECN101010	20101021	Nicole	Addition DIM.D Δ
C	ECN101226	20101230	Anson	Modify profile.
D	ECN110303	20110307	Anson	Modify profile. Δ



Note:

1. 10 sprocket hole pitch cumulative tolerance ± 0.2
2. Carrier camber is within 1 mm in 250mm.
3. Material : Black Conductive Polystyrene Alloy.
4. All dimensions meet EIA-481-D requirements.
5. Thickness : 0.3 ± 0.05 mm.
6. Component load per 13" reel : 5000pcs.
7. For tape width (dimension A) 16 and 24mm a pilot hole is provided on one side.
For tape width (dimension A) 32 and 44mm pilot holes are provided on both sides.



No.of Contacts	Part Number	DIM. A	DIM. B	DIM. C
9	BL309-09S22			
25	BL309-25S22	16	7.5	—
27	BL309-27S22			
51	BL309-51S22	24	11.5	—
57	BL309-57S22			
67	BL309-67S22	32	14.2	28.4
71	BL309-71S22	44	20.2	40.4

TOLERANCE UNLESS SPECIFIED		SHEET 4/5	DR. BY 陳志祥 3/5	MATERIAL See Note 1.
LINEAR	ANGLE	SCALE 10/1	CHK. BY 陳彥麟 3/7	FINISH See Note 2.
.X XX	.X XX	UNIT mm	APP. BY 陳彥麟 3/6	PART NO. See Note 3.
.XX XX	.X XX			
.XXXXX	.XX XX			

Allconnectors

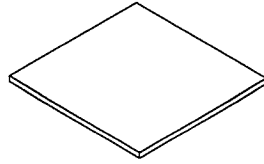
www.allconnectors.eu | info@allconnectors.eu
Tel: +49 (0)711 358 110 20 | Fax: +49 (0)711 358 110 25



TITLE	0.3 Pitch, H=0.9mm FPC Conn.
DWG NO.	BL309-xxS22-TAHO

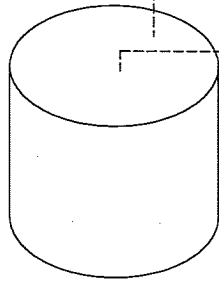
REV.	ECO NO.	DATE	SIGN	DESCRIPTION
B	ECN101010	20101021	Nicole	Addition DIM.D
C	ECN101226	20101230	Anson	Modify profile.
D	ECN110303	20110307	Anson	Modify profile.

紙板(上)
Pasteboard(upper)
(2)

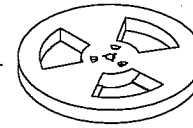
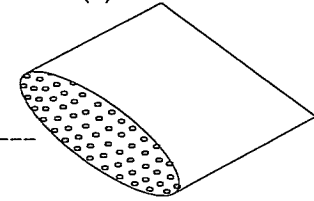


乾燥劑
Drying Agent
(5)

塑膠袋
Plastic Bag
(4)

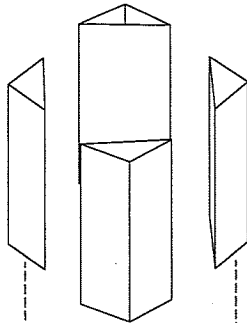


氣泡袋
Bubble Bag(upper)
(7)

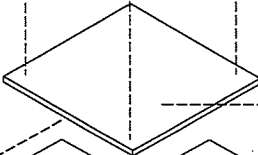


Tape & Reel
(6)

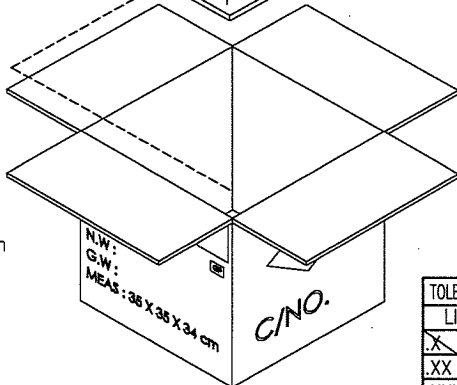
三角隔板
Triangle Partition
(3)



紙板(下)
Pasteboard(lower)
(2)



外箱
Carton
(1)

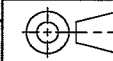


No. of Contacts	(1)外箱	(2)紙板	(3)三角隔板	(4)塑膠袋	(5)乾燥劑	(6)塑膠圓盤	(7)氣泡袋
9~25	1	2	4	1	1	9	9
27~51	1	2	4	1	1	7	7
57~67	1	2	4	1	1	6	6
71	1	2	4	1	1	5	5

TOLERANCE UNLESS SPECIFIED		SHEET 5/5	DR. BY 陳志祥 3/11	MATERIAL See Note 1.
LINEAR	ANGLE	SCALE 10/1	CHK. BY 陳彥麟 3/11	FINISH See Note 2.
.X XX	.X XX	UNIT mm	APP. BY 陳彥麟 3/11	PART NO. See Note 3.
.XX XX	.X XX			
.XXXX	.XX XX			

Allconnectors

www.allconnectors.eu | info@allconnectors.eu
Tel: +49 (0)711 358 110 20 | Fax: +49 (0)711 358 110 25



TITLE 0.3 Pitch, H=0.9mm FPC Conn.
DWG NO. BL309-xxS22-TAHO