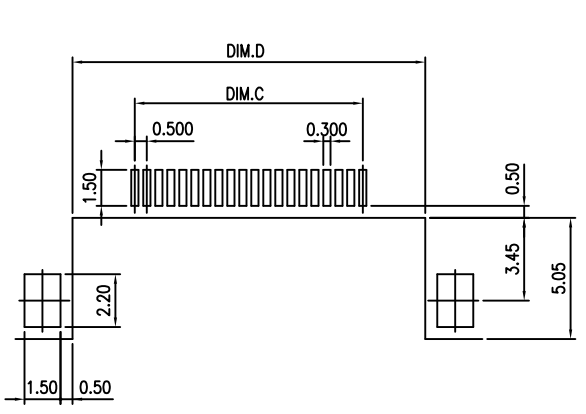
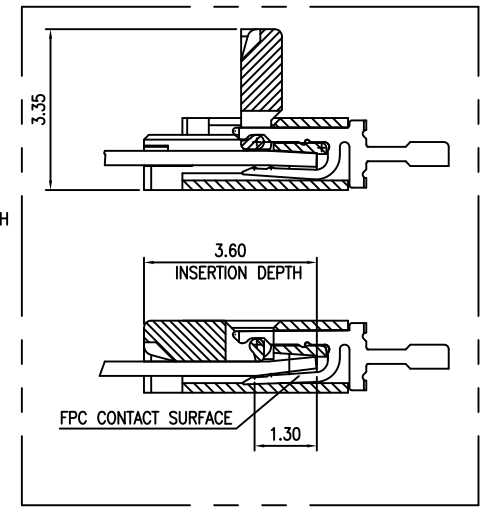
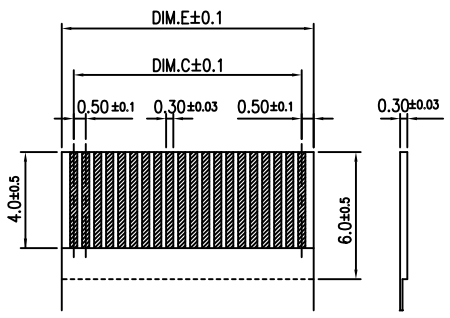


ALL CONTACTS & LATCH
MUST BE COPLANAR
WITHIN 0.10mm.



RECOMMENDED P.C. BOARD PATTERN LAYOUT
SCALE 5 : 1



SCALE 5:1

- NOTES:
- UNLESS OTHERWISE SPECIFIED, ALL TOLERANCES FOLLOW DRAWING COMMON STANDARD.
 - MATERIAL OF COMPONENTS :
 INSULATORL.C.P.+30% GLASS REINFORCED
 SPACERNYLON 9T+33% GLASS REINFORCED
 CONTACTPHOSPHOR BRONZE C5191R-H
 HOLD DOWNBRASS C2680R-H
 - GOLD FLASH PLATED ALL OVER 50u" MIN.
 UNDER-PLATED NICKEL

316B-XX X A A-R
1 2 3 4 5

- Pin count
 - Contact
 - Plating
 - Package
- A: G/F
A: Reel
5.RoHS

UNLESS OTHERWISE SPECIFIED TOLERANCE	
ANG.	±5°
0.	±
.0	±0.25
.00	±0.20
SCALE: AS SHOWN	UNIT: mm
DRAWN Willis	2007/11/16
CHECKED / /	
APPROVED / /	
SIZE A4	REV.

<p>www.allconnectors.eu info@allconnectors.eu Tel. +49 (0)711 / 358 110 20 Fax +49 (0)711 / 358 110 25</p>	
DRAWN NAME: FPC Connector, Middle Board Mount Pitch 0.5mm, Thickness 1.5 mm	
PRODUCT NO.	316B-XXXAA-R
FILE NAME:	316B-XXXAA-R

REV.	DESCRIPTION	DATE	SIZE A4	REV.
1				
2				
3				
4				
5				
6				
7				
8				
9				
10				

POS.	DIM.A	DIM.B	DIM.C	DIM.D	DIM.E
5	10.13	6.70	2.00	7.20	3.00
6	10.63	7.20	2.50	7.70	3.50
7	11.13	7.70	3.00	8.20	4.00
8	11.63	8.20	3.50	8.70	4.50
9	12.13	8.70	4.00	9.20	5.00
10	12.63	9.20	4.50	9.70	5.50
11	13.19	9.70	5.00	10.20	6.00
12	13.63	10.20	5.50	10.70	6.50
13	14.13	10.70	6.00	11.20	7.00
14	14.63	11.20	6.50	11.70	7.50
15	15.13	11.70	7.00	12.20	8.00
16	15.63	12.20	7.50	12.70	8.50
17	16.13	12.70	8.00	13.20	9.00
18	16.63	13.20	8.50	13.70	9.50
19	17.13	13.70	9.00	14.20	10.00
20	17.63	14.20	9.50	14.70	10.50
21	18.13	14.70	10.00	15.20	11.00
22	18.63	15.20	10.50	15.70	11.50
23	19.13	15.70	11.00	16.20	12.00
24	19.63	16.20	11.50	16.70	12.50
25	20.13	16.70	12.00	17.20	13.00
26	20.63	17.20	12.50	17.70	13.50
27	21.13	17.70	13.00	18.20	14.00
28	21.63	18.20	13.50	18.70	14.50
29	22.13	18.70	14.00	19.20	15.00

POS.	DIM.A	DIM.B	DIM.C	DIM.D	DIM.E
30	22.63	19.20	14.50	19.70	15.50
31	23.13	19.70	15.00	20.20	16.00
32	23.63	20.20	15.50	20.70	16.50
33	24.13	20.70	16.00	21.20	17.00
34	24.63	21.20	16.50	21.70	17.50
35	25.13	21.70	17.00	22.20	18.00
36	25.63	22.20	17.50	22.70	18.50
37	26.13	22.70	18.00	23.20	19.00
38	26.63	23.20	18.50	23.70	19.50
39	27.13	23.70	19.00	24.20	20.00
40	27.63	24.20	19.50	24.70	20.50
41	28.13	24.70	20.00	25.20	21.00
42	28.63	25.20	20.50	25.70	21.50
43	29.13	25.70	21.00	26.20	22.00
44	29.63	26.20	21.50	26.70	22.50
45	30.13	26.70	22.00	27.20	23.00
46	30.63	27.20	22.50	27.70	23.50
47	31.13	27.70	23.00	28.20	24.00
48	31.63	28.20	23.50	28.70	24.50
49	32.13	28.70	24.00	29.20	25.00
50	32.63	29.20	24.50	29.70	25.50
51	33.13	29.70	25.00	30.20	26.00
52	33.63	30.20	25.50	30.70	26.50
53	34.13	30.70	26.00	31.20	27.00
54	34.63	31.20	26.50	31.70	27.50

UNLESS OTHERWISE SPECIFIED TOLERANCE	
ANG.	±5°
0.	±
.0	±0.25
.00	±0.20
SCALE: AS SHOWN	UNIT: mm
DRAWN Willis	2007/11/16
CHECKED	/ /
APPROVED	/ /
	SIZE A4
REV.	

 <small>www.allconnectors.eu info@allconnectors.eu</small> <small>Tel. +49 (0)711 / 358 110 20 Fax +49 (0)711 / 358 110 25</small>	
DRAWN NAME: FPC Connector, Middle Board Mount Pitch 0.5mm ,Thickness 1.5 mm	
PRODUCT NO.	316B-XXXAA-R
FILE NAME:	316B-XXXAA-R

REV.	DESCRIPTION	DATE