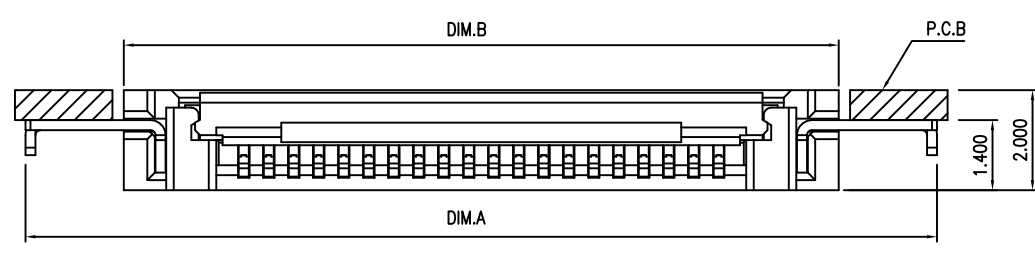


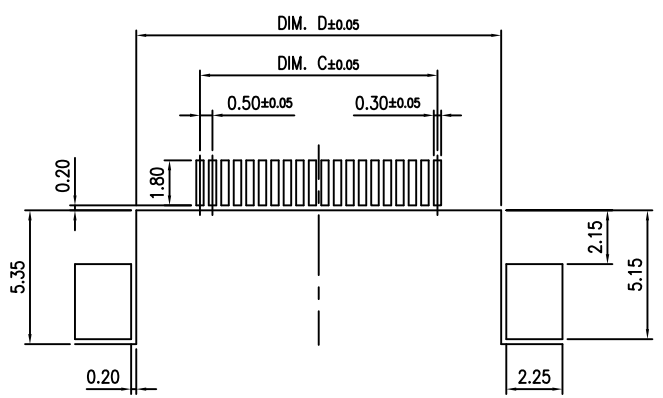
SCALE 8:1



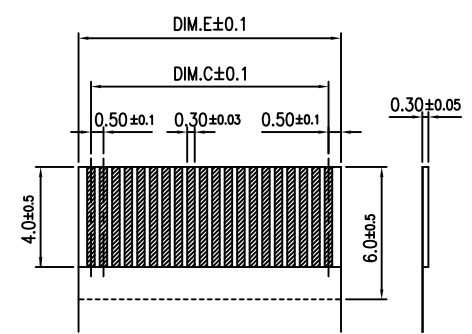
- UNLESS OTHERWISE SPECIFIED, ALL TOLERANCES FOLLOW DRAWING COMMON STANDARD.
- MATERIAL OF COMPONENTS :
 INSULATORNYLON 9T+45% GLASS REINFORCED
 SPACERNYLON 9T+33% GLASS REINFORCED
 CONTACTPHOSPHOR BRONZE C5191R-H
 HOLD DOWNBRASS C2680R-H
- GOLD FLASH PLATED ALL OVER 50 u"
 MIN.UNDER-PLATED NICKEL

316A-XX B A A-R
 1 2 3 4 5

- Pin count
- XX: 05 to 55 pin
- Contact
- B: Bottom contact
- Plating
- A: G/F
- Package
- A: Reel
- RoHS



RECOMMENDED P.C. BOARD PATTERN LAYOUT
 SCALE 5 : 1



FPC LAYOUT
 SCALE 5:1

UNLESS OTHERWISE SPECIFIED TOLERANCE	
ANG.	±5°
0.	±
.0	±0.25
.00	±0.20

Allconnectors
 www.allconnectors.eu | info@allconnectors.eu
 Tel. +49 (0)711 / 358 110 20 | Fax +49 (0)711 / 358 110 25

SCALE:	AS SHOWN	UNIT:	mm
DRAWN	Willis	2007/11/22	
CHECKED			
APPROVED			

DRAWN NAME:
 FPC Connector, Middel Board Mount
 Pitch 0.5mm ,Thickness 2.0 mm
 PRODUCT NO. 316A-XXBAA-R
 FILE NAME: 316A-XXBAA-R

REV.	DESCRIPTION	DATE	SIZE	REV.
			A4	

POS.	DIM.A	DIM.B	DIM.C	DIM.D	DIM.E
5	10.73	6.80	2.00	7.10	3.00
6	11.23	7.30	2.50	7.60	3.50
7	11.73	7.80	3.00	8.10	4.00
8	12.23	8.30	3.50	8.60	4.50
9	12.73	8.80	4.00	9.10	5.00
10	13.23	9.30	4.50	9.60	5.50
11	13.73	9.80	5.00	10.10	6.00
12	14.23	10.30	5.50	10.60	6.50
13	14.73	10.80	6.00	11.10	7.00
14	15.23	11.30	6.50	11.60	7.50
15	15.73	11.80	7.00	12.10	8.00
16	16.23	12.30	7.50	12.60	8.50
17	16.73	12.80	8.00	13.10	9.00
18	17.23	13.30	8.50	13.60	9.50
19	17.73	13.80	9.00	14.10	10.00
20	18.23	14.30	9.50	14.60	10.50
21	18.73	14.80	10.00	15.10	11.00
22	19.23	15.30	10.50	15.60	11.50
23	19.73	15.80	11.00	16.10	12.00
24	20.23	16.30	11.50	16.60	12.50
25	20.73	16.80	12.00	17.10	13.00
26	21.23	17.30	12.50	17.60	13.50
27	21.73	17.80	13.00	18.10	14.00

POS.	DIM.A	DIM.B	DIM.C	DIM.D	DIM.E
28	22.23	18.30	13.50	18.60	14.50
29	22.73	18.80	14.00	19.10	15.00
30	23.23	19.30	14.50	19.60	15.50
31	23.73	19.80	15.00	20.10	16.00
32	24.23	20.30	15.50	20.60	16.50
33	24.73	20.80	16.00	21.10	17.00
34	25.23	21.30	16.50	21.60	17.50
35	25.73	21.80	17.00	22.10	18.00
36	26.23	22.30	17.50	22.60	18.50
37	26.73	22.80	18.00	23.10	19.00
38	27.23	23.30	18.50	23.60	19.50
39	27.73	23.80	19.00	24.10	20.00
40	28.23	24.30	19.50	24.60	20.50
41	28.73	24.80	20.00	25.10	21.00
42	29.23	25.30	20.50	25.60	21.50
43	29.73	25.80	21.00	26.10	22.00
44	30.23	26.30	21.50	26.60	22.50
45	30.73	26.80	22.00	27.10	23.00
46	31.23	27.30	22.50	27.60	23.50
47	31.73	27.80	23.00	28.10	24.00
48	32.23	28.30	23.50	28.60	24.50
49	32.73	28.80	24.00	29.10	25.00
50	33.23	29.30	24.50	29.60	25.50
51	33.73	29.80	25.00	30.10	26.00
52	34.23	30.30	25.50	30.60	26.50
53	34.73	30.80	26.00	31.10	27.00
54	35.23	31.30	26.50	31.60	27.50
55	35.73	31.80	27.00	32.10	28.00

UNLESS OTHERWISE SPECIFIED TOLERANCE	
ANG.	±5°
0.	±
.0	±0.25
.00	±0.20
SCALE:	AS SHOWN
UNIT:	mm

All Connectors
www.allconnectors.eu | info@allconnectors.eu
 Tel. +49 (0)711 / 358 110 20 | Fax +49 (0)711 / 358 110 25

DRAWN	Willis	2007/11/22
CHECKED		/ /
APPROVED		/ /

DRAWN NAME:
FPC Connector, Middel Board Mount
Pitch 0.5mm ,Thickness 2.0 mm

PRODUCT NO. 316A-XXBAA-R

FILE NAME: 316A-XXBAA-R

REV.	DESCRIPTION	DATE	SIZE	REV.
1			A4	