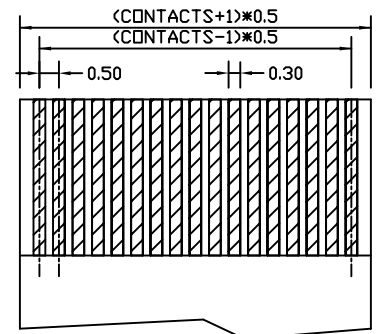
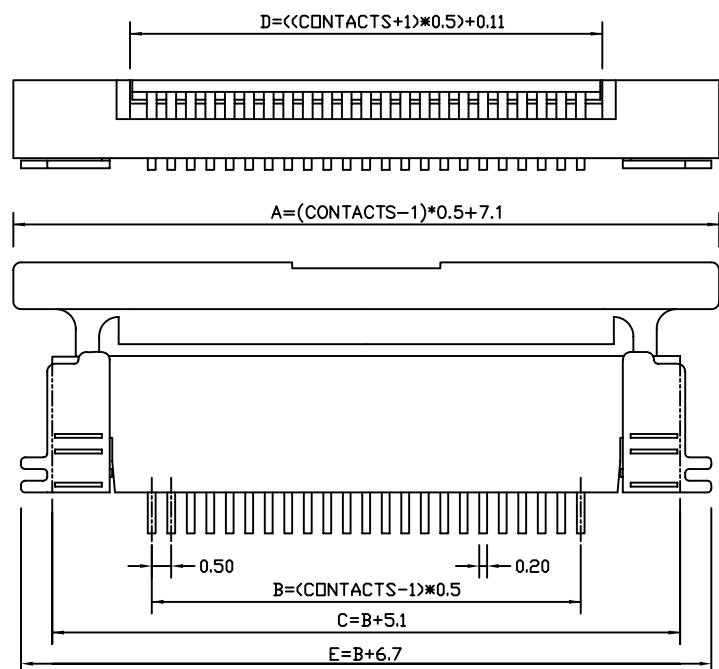
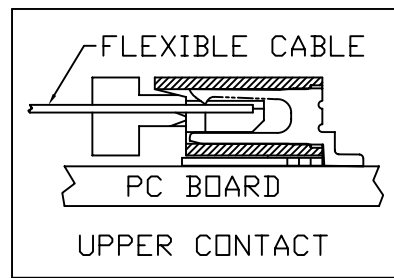
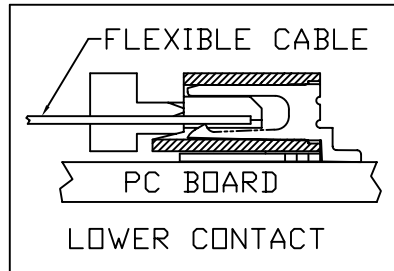
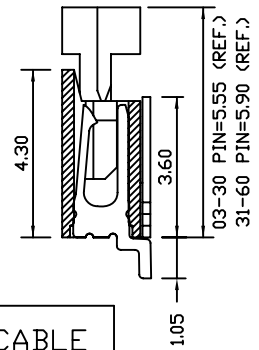
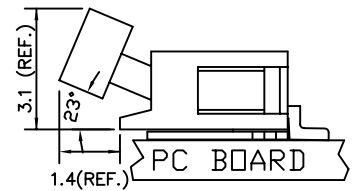


RECOMMENDED PCB LAYOUT



FPC DIMENSION THICKNESS 0.30 mm



PRODUCT NUMBER:
311A-XX X X X-R
1 2 3 4 5

- 1.Pin count
03 to 60 Pin
- 2.Contact
U:Upper contact
L:Lower contact
- 3.Plating
A:Tin
B:3u" Gold Plating
- 4.Packing
A:Reel
B:Tube
- 5.RoHS

| | | | | | | | | | | |
|---|---|---|---|---|---|--------------------------------------|----------|--|--|--------------------------|
| | | | | | | UNLESS OTHERWISE SPECIFIED TOLERANCE | | www.allconnectors.eu info@allconnectors.eu Tel. +49 (0)711 / 358 110 20 Fax +49 (0)711 / 358 110 25 | | |
| | | | | | | ANG. | ±5° | | | |
| | | | | | | 0. | ±0.3 | | | |
| | | | | | | .0 | ±0.25 | | | |
| | | | | | | .00 | ±0.20 | | | |
| | | | | | | SCALE: | AS SHOWN | UNIT: | mm | |
| | | | | | | DRAWN | Willis | 2009/12/09 | DRAWN NAME: FPC Connector Pitch:0.5mm, H:2.0mm | |
| | | | | | | CHECKED | Angel | 2009/12/09 | | |
| | | | | | | 2009/12/09 | APPROVED | Ken | 2009/12/09 | PRODUCT NO. 311A-XXXXX-R |
| ⚠ Revise: Dimension Form REV. DESCRIPTION DATE | | | | | | SIZE A4 REV. | | FILE NAME: 311A-XXXXX-R_B_1 | | |
| 1 | 2 | 3 | 4 | 5 | 6 | 7 | 8 | 9 | 10 | |



| PIN | A | B | C | D | E |
|-----|-------|-------|-------|-------|-------|
| 8 | 10.60 | 3.50 | 8.60 | 4.61 | 10.20 |
| 10 | 11.60 | 4.50 | 9.60 | 5.61 | 11.20 |
| 11 | 12.10 | 5.00 | 10.10 | 6.11 | 11.70 |
| 12 | 12.60 | 5.50 | 10.60 | 6.61 | 12.20 |
| 14 | 13.60 | 6.50 | 11.60 | 7.61 | 13.20 |
| 20 | 16.60 | 9.50 | 14.60 | 10.61 | 16.20 |
| 24 | 18.60 | 11.50 | 16.60 | 12.61 | 18.20 |
| 26 | 19.60 | 12.50 | 17.60 | 13.61 | 19.20 |
| 28 | 20.60 | 13.50 | 18.60 | 14.61 | 20.20 |
| 30 | 21.60 | 14.50 | 19.60 | 15.61 | 21.20 |
| 32 | 22.60 | 15.50 | 20.60 | 16.61 | 22.20 |
| 34 | 23.60 | 16.50 | 21.60 | 17.61 | 23.20 |
| 40 | 26.60 | 19.50 | 24.60 | 20.61 | 26.20 |
| 45 | 29.10 | 22.00 | 27.10 | 23.11 | 28.70 |
| 50 | 31.60 | 24.50 | 29.60 | 25.61 | 31.20 |
| 54 | 33.60 | 26.50 | 31.60 | 27.61 | 33.20 |

FEATURE AND SPECIFICATIONS

SIZES 03 TO 60 PIN.

FPC PITCH 0.5mm HORIZONTAL

VOLTAGE:50V MAX.

CURRENT:0.5A MAX.

CONTACT RESISTANCE:20 milliohms MAX.

INSULATION RESISTANCE:50 Megohms MIN.

DIELECTRIC WITHSTANDING VOLTAGE:250V AC.

TEMPERATURE:-40°C TO 85°C

FPC RETENTION FORCE: PER PIN 0.3N(0.03Kgf) MIN

MATERIAL AND FINISH

HOUSING: PA-46 , ACTUATOR,(BROWN)UL 94V-0

ACTUATOR:HIGH-TEMP. THERMOPLASTIC. UL 94V-0.

CONTACT:PHOSPHOR BRONZE.

HOLDDOWN:BRASS.

PLATING:100u" TIN,OVER 50u" NI

| PRODUCT P/N | 311A-XXXA0-R Packing | | |
|------------------------------|----------------------|--------------|----------|
| | PCS/REEL | REEL/Cartron | REEL NO. |
| 311A-03XA0-R 311A-04XA0-R | 2000 | 14 | UR-13 |
| 311A-05XA0-R 311A-20XA0-R | 2000 | 10 | UR-14 |
| 311A-21XA0-R 311A-30XA0-R | 2000 | 8 | UR-15 |
| 311A-31XA0-R 311A-51XA0-R | 2000 | 6 | UR-16 |
| 311A-52XA0-R 311A-60XA0-R | 2000 | 5 | UR-17 |

UNLESS OTHERWISE SPECIFIED TOLERANCE

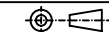
ANG. ±5
0. ±0.3
.0 ±0.25
.00 ±0.20

SCALE: AS SHOWN UNIT: mm

DRAWN Willis 2009/08/05

CHECKED Angel 2009/08/05

APPROVED Ken 2009/08/05



SIZE A4 REV.

Allconnectors

www.allconnectors.eu | info@allconnectors.eu
Tel. +49 (0)711 / 358 110 20 | Fax +49 (0)711 / 358 110 25

DRAWN NAME: FPC Connector
Pitch:0.5mm, H:2.0mm

PRODUCT NO. 311A-XXXXX-R

FILE NAME: 311A-XXXXX-R_B_1

△ Revise: Dimension Form

| REV. | DESCRIPTION | DATE | SIZE | REV. | FILE NAME: |
|------|-------------|------------|------|------|------------------|
| 1 | | 2009/12/09 | A4 | | 311A-XXXXX-R_B_1 |