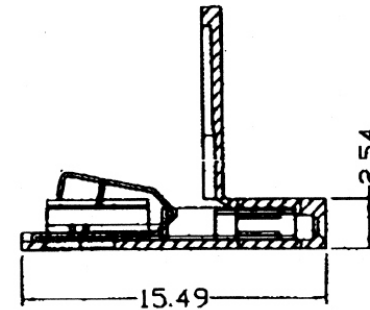
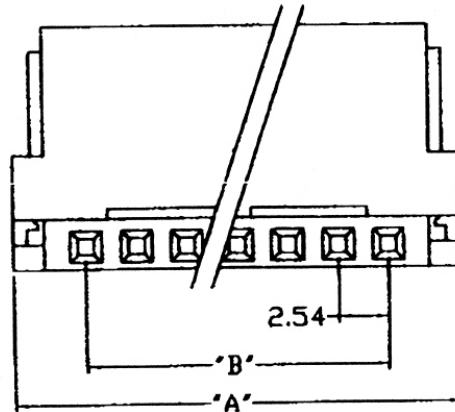
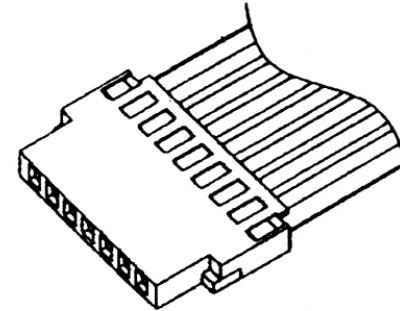
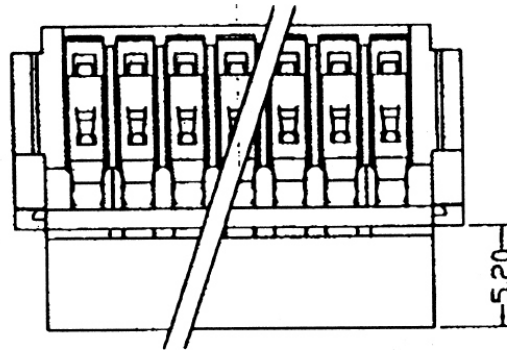


Material:
 Contact pin: phosphor bronze
 Base: Nylon 66 UL 94V-O
 Pitch: 2.54mm

SPECIFICATIONS

- Voltage rating: 15V AC.DC
- Withstand voltage: 1000V/minute
- Withstand humidity: 30%~90%
- Temperature range: -60°C~+105°C

PVF-HI-1Xxx-LF
 LEADFREE
 RoHS Compliant



POSITION	"A"	"B"
2 P	9.91	2.54
3 P	12.45	5.08
4 P	14.99	7.62
5 P	17.53	10.16
6 P	20.07	12.70
7 P	22.61	15.24
8 P	25.15	17.78
9 P	27.69	20.32
10 P	30.23	22.86
11 P	32.77	25.40
12 P	35.31	27.94
13 P	37.85	30.48
14 P	40.39	33.02
15 P	42.93	35.56
16 P	45.47	38.10
17 P	48.01	40.64
18 P	50.55	43.18
19 P	53.09	45.72
20 P	55.63	48.26
21 P	58.17	50.80
22 P	60.71	53.34
23 P	63.25	55.88
24 P	65.79	58.42
25 P	68.33	60.96
26 P	70.87	63.50
27 P	73.41	66.04
28 P	75.95	68.58
29 P	78.49	71.12
30 P	81.03	73.66
31 P	83.57	76.20
32 P	86.11	78.74

All Connectors

www.allconnectors.eu | info@allconnectors.eu
 Tel. +49 (0)711 / 358 110 20 | Fax +49 (0)711 / 358 110 25

PART NO. PVF-HI-1Xxx

DWG NO. PVF-HI-1Xxx

FILE NO.

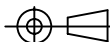
UNIT / mm

SCALE 1:1

CHECKED BY CY

DRAWING BY

PROJECTION



TOLERANCES ARE

.X ± 0.2
 .XX ±
 .XXX ±
 AWG

DESCRIPTION:

AREA

REVISIONS

HK

DATE