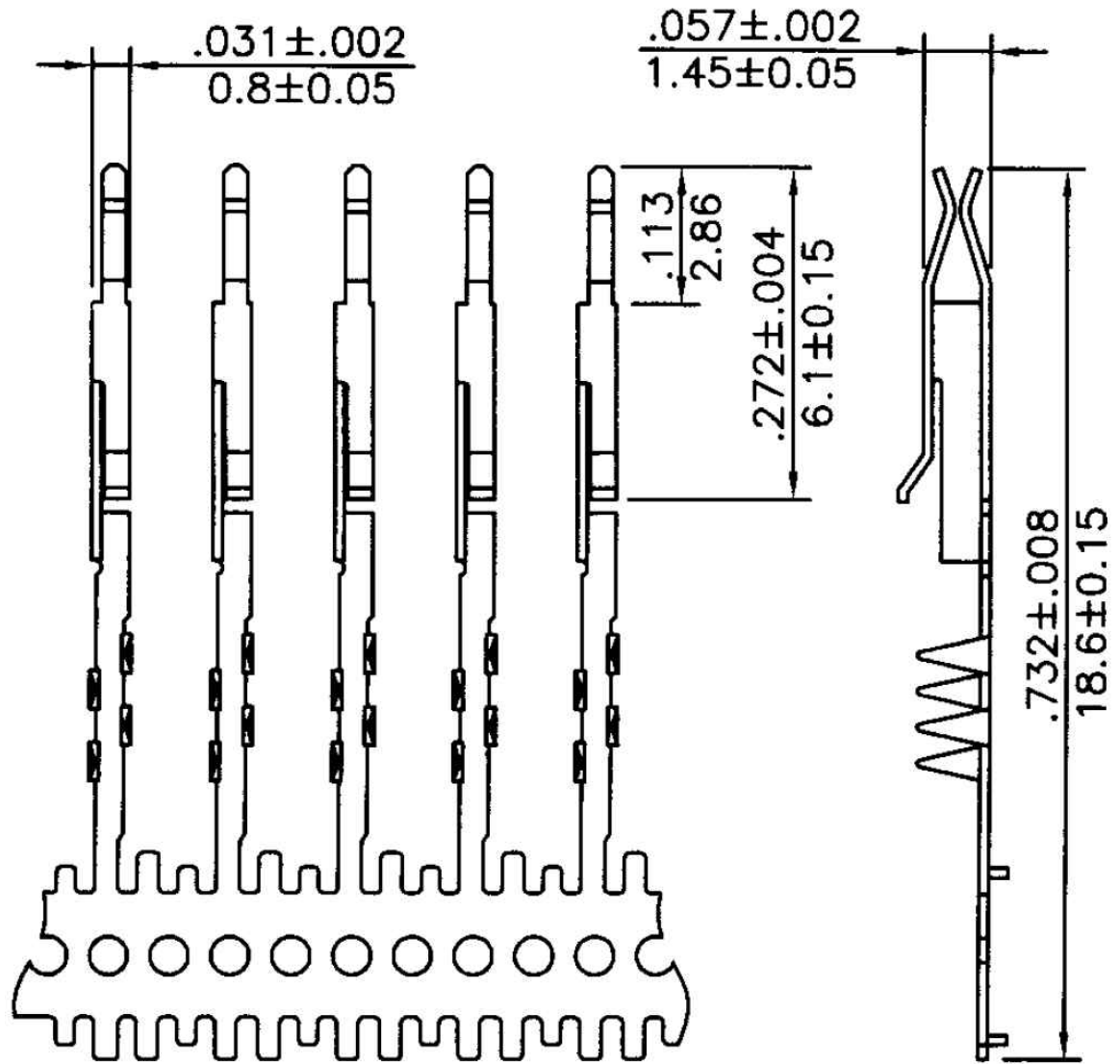
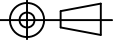


Crimp Female Terminal
 Mates 0.40mm square pin.
 Material: Phosphor Bronze
 Finished: Tin Plated

MOD50F-F-LF
 LEADFREE
 RoHS Compliant



PART NO. MOD50F-F		CHECKED BY CY		TOLERANCES ARE .X ± .XX ± .XXX ± AWG	DESCRIPTION:			
DWG NO. MOD50F-F		DRAWING BY						
FILE NO.		PROJECTION 		AREA	REVISIONS	HK	DATE	
UNIT / mm	SCALE 1:1							

All Connectors

www.allconnectors.eu | info@allconnectors.eu
 Tel. +49 (0)711 / 358 110 20 | Fax +49 (0)711 / 358 110 25