

A2550 SERIES

2.54mm pitch FFC Crimp Flex connector

A2550-T

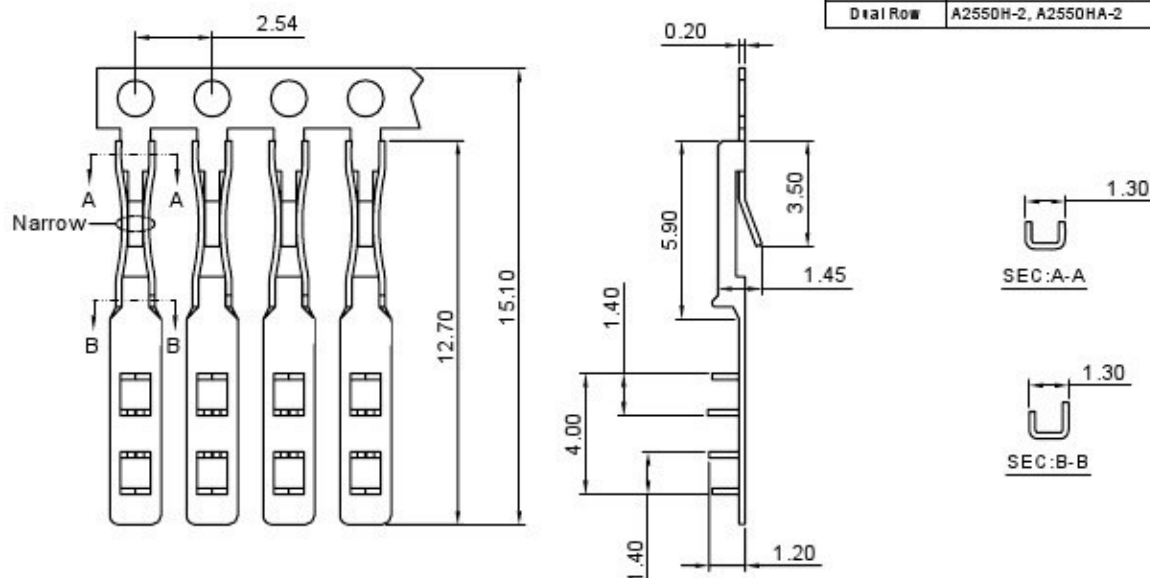
2.54mm pitch Crimp Flex Terminal

Use With A2550 series Housing:

Single Row	A2550H, A2550HA, A2550H8, A2550H-A A2550H-B, A2550H-C, A2550H-C1, A2550H-D A2550H-E, A2550H-F, A2550H-J
Dual Row	A2550H-2, A2550HA-2

Reference Informations:

*Used in A2550 series Housing



Unit:mm

Part NO.	Wire Range	Insulation O.D.	Material	Finish	Qty/reel
A2550-TP	FFC WIRE	-----	Phosphor Bronze	Tin over Nickel	20,000 PCS
A2550-GP	FFC WIRE	-----	Phosphor Bronze	Gold over Nickel	20,000 PCS

Optional Gold plating available but MOQ requested

A2550-T-H

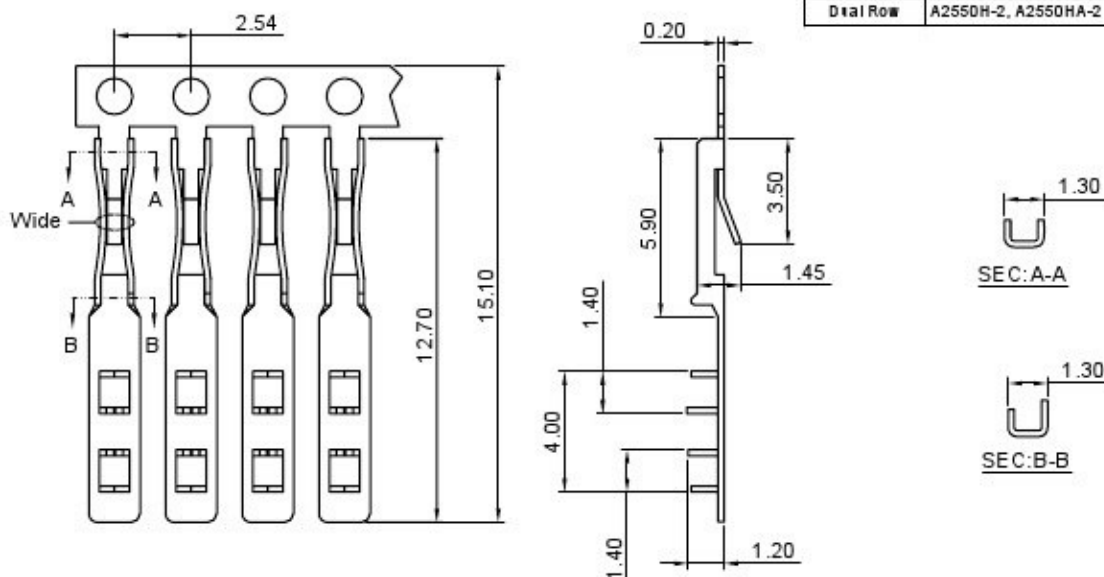
2.54mm pitch Crimp Flex Terminal

Use With A2550 series Housing:

Single Row	A2550H, A2550HA, A2550H8, A2550H-A A2550H-B, A2550H-C, A2550H-C1, A2550H-D A2550H-E, A2550H-F, A2550H-J
Dual Row	A2550H-2, A2550HA-2

Reference Informations:

*Used in A2550 series Housing



Unit:mm

Ordering information & Specifications:

Part NO.	Wire Range	Insulation O.D.	Material	Finish	Qty/reel
A2550-TP-H	FFC WIRE	-----	Phosphor Bronze	Tin over Nickel	20,000 PCS
A2550-GP-H	FFC WIRE	-----	Phosphor Bronze	Gold over Nickel	20,000 PCS

Optional Gold plating available but MOQ requested

All Connectors

www.allconnectors.de
Tel.: 0049 (0)11 7009500
20204 Bildestadt - Germany

Info@allconnectors.de
Fax: 0049 (0)11 7009504
Kettelerstr. 25