

A2550 SERIES

2.54mm pitch FFC Crimp Flex connector

A2550M-T

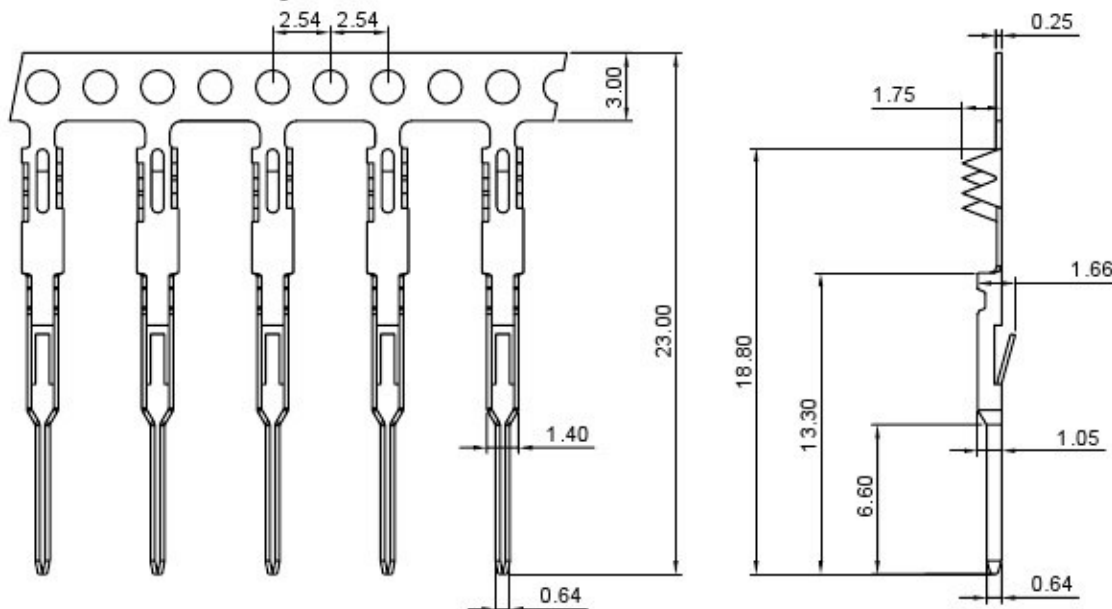
2.54mm pitch Crimp Flex Terminal

Use With A2550 series Housing:

Single Row	A2550H, A2550H-D
Dual Row	A2550H-2

Reference Informations:

*Used in A2550 series Housing



Ordering information & Specifications:

Unit:mm

Part NO.	Wire Range	Insulation O.D.	Material	Finish	Qty/reel
A2550M-TP	FFC WIRE	-----	Phosphor Bronze	Tin over Nickel	10,000 PCS
A2550M-GP	FFC WIRE	-----	Phosphor Bronze	Gold over Nickel	10,000 PCS

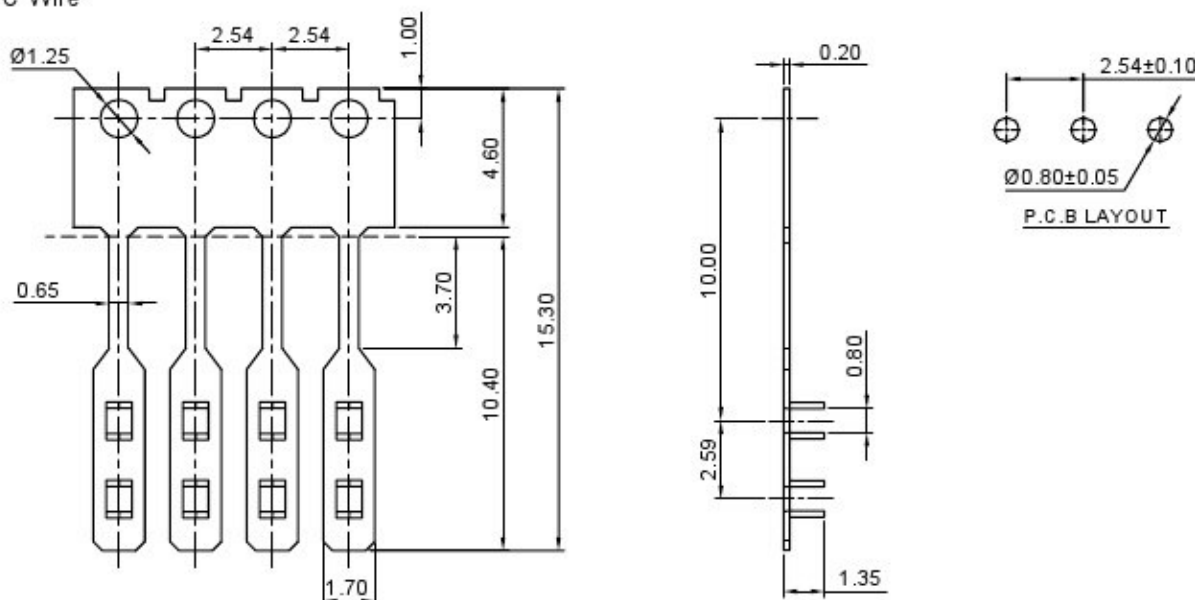
Optional Gold plating available but MOQ requested

A2550M-T-C

2.54mm pitch Crimp Flex Terminal

Reference Informations:

*Used in FFC Wire



Ordering information & Specifications:

Unit:mm

Part NO.	Wire Range	Insulation O.D.	Material	Finish	Qty/reel
A2550M-TP-C	FFC WIRE	-----	Phosphor Bronze	Tin over Nickel	20,000 PCS
A2550M-GP-C	FFC WIRE	-----	Phosphor Bronze	Gold over Nickel	20,000 PCS

Optional Gold plating available but MOQ requested

Allconnectors

www.allconnectors.de
Tel.: 0049 711 2001500
70784 Filderstadt Germany

info@allconnectors.de
Fax: 0049 711 2001509
Kettnerstr. 25