

A2550 SERIES

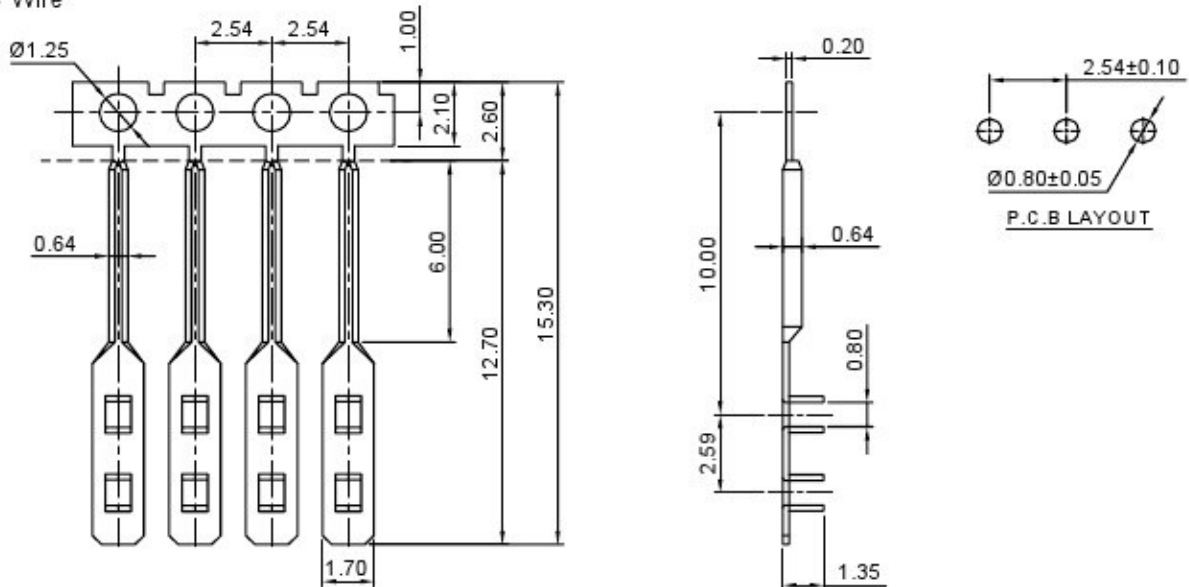
2.54mm pitch FFC Crimp Flex connector

A2550M-T-K

2.54mm pitch Crimp Flex Terminal

Reference Informations:

*Used in FFC Wire



Ordering information & Specifications:

Unit:mm

| Part NO. | Wire Range | Insulation O.D. | Material | Finish | Qty/reel |
|-------------|------------|-----------------|-----------------|------------------|------------|
| A2550M-TP-K | FFC WIRE | ----- | Phosphor Bronze | Tin over Nickel | 20,000 PCS |
| A2550M-GP-K | FFC WIRE | ----- | Phosphor Bronze | Gold over Nickel | 20,000 PCS |

Optional Gold plating available but MOQ requested

A2550H

2.54mm Pitch Crimp Flex Housing

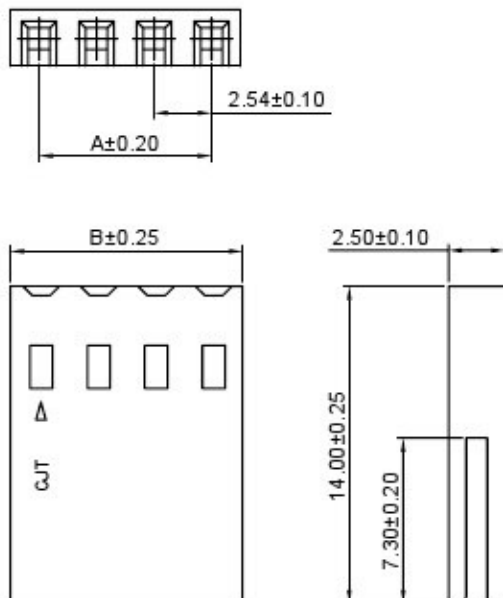
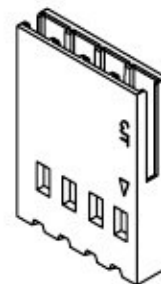
Reference Informations:

*Material:PBT30%GF,UL94V-0

*Suitable A2550 series Terminal (A2550-T(-H), A2550-T(-H)-CR, A2550-T-A, A2550-T-C, A2550M-T)

*Mates with A2541 series Wafer

*Color:Black



Ordering Information & Dimensions:

| PART NO. | Dimensions | | PART NO. | Dimensions | |
|------------|------------|-------|------------|------------|-------|
| | A | B | | A | B |
| A2550H-2P | 2.54 | 5.08 | A2550H-20P | 48.26 | 50.80 |
| A2550H-3P | 5.08 | 7.62 | A2550H-21P | 50.80 | 53.34 |
| A2550H-4P | 7.62 | 10.16 | A2550H-22P | 53.34 | 55.88 |
| A2550H-5P | 10.16 | 12.70 | A2550H-23P | 55.88 | 58.42 |
| A2550H-6P | 12.70 | 15.24 | A2550H-24P | 58.42 | 60.96 |
| A2550H-7P | 15.24 | 17.78 | A2550H-25P | 60.96 | 63.50 |
| A2550H-8P | 17.78 | 20.32 | A2550H-26P | 63.50 | 66.04 |
| A2550H-9P | 20.32 | 22.86 | A2550H-27P | 66.04 | 68.58 |
| A2550H-10P | 22.86 | 25.40 | A2550H-28P | 68.58 | 71.12 |
| A2550H-11P | 25.40 | 27.94 | A2550H-29P | 71.12 | 73.66 |
| A2550H-12P | 27.94 | 30.48 | A2550H-30P | 73.66 | 76.20 |
| A2550H-13P | 30.48 | 33.02 | A2550H-31P | 76.20 | 78.74 |
| A2550H-14P | 33.02 | 35.56 | A2550H-32P | 78.74 | 81.28 |
| A2550H-15P | 35.56 | 38.10 | A2550H-33P | 81.28 | 83.82 |
| A2550H-16P | 38.10 | 40.64 | A2550H-34P | 83.82 | 86.36 |
| A2550H-17P | 40.64 | 43.18 | A2550H-35P | 86.36 | 88.90 |
| A2550H-18P | 43.18 | 45.72 | A2550H-36P | 88.90 | 91.44 |
| A2550H-19P | 45.72 | 48.26 | | | |

Unit: mm