

# A2550 SERIES

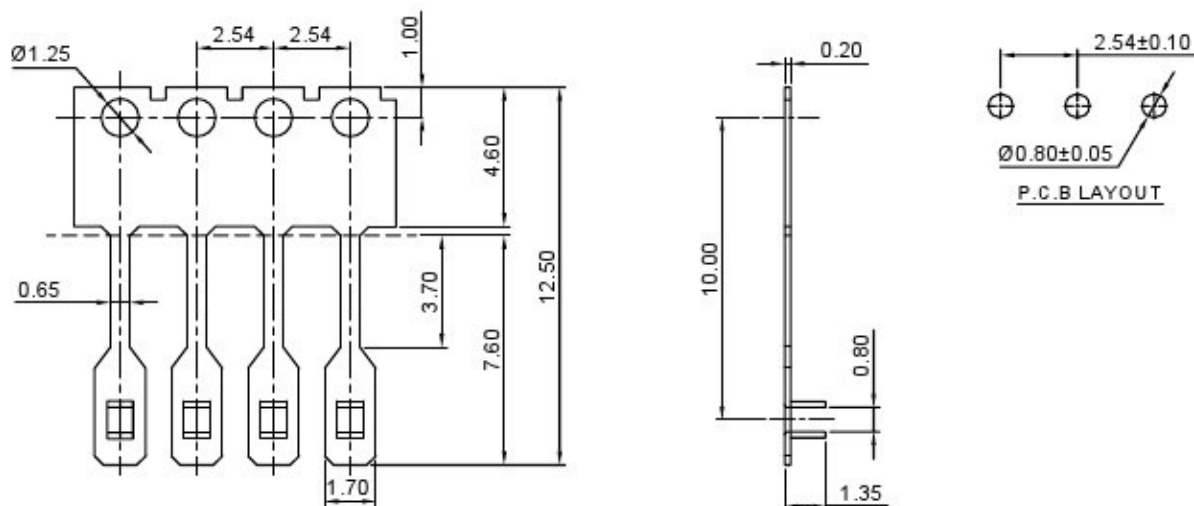
2.54mm pitch FFC Crimp Flex connector

## A2550M-T-CA

2.54mm pitch Crimp Flex Terminal

### Reference Informations:

\*Used in FFC Wire



### Ordering information & Specifications:

Unit:mm

Part NO.	Wire Range	Insulation O.D.	Material	Finish	Qty/reel
A2550M-TP-CA	FFC WIRE	-----	Phosphor Bronze	Tin over Nickel	20,000 PCS
A2550M-GP-CA	FFC WIRE	-----	Phosphor Bronze	Gold over Nickel	20,000 PCS

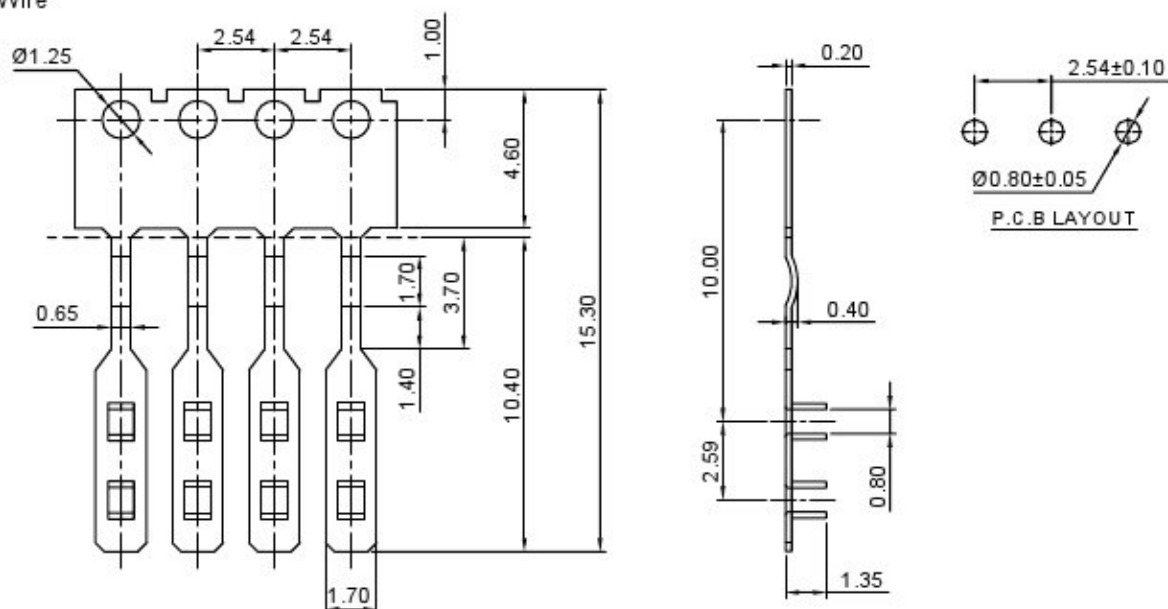
Optional Gold plating available but MOQ requested

## A2550M-T-C1

2.54mm pitch Crimp Flex Terminal

### Reference Informations:

\*Used in FFC Wire



### Ordering information & Specifications:

Unit:mm

Part NO.	Wire Range	Insulation O.D.	Material	Finish	Qty/reel
A2550M-TP-C1	FFC WIRE	-----	Phosphor Bronze	Tin over Nickel	20,000 PCS
A2550M-GP-C1	FFC WIRE	-----	Phosphor Bronze	Gold over Nickel	20,000 PCS

Optional Gold plating available but MOQ requested

**All Connectors**

www.allconnectors.de  
Tel.: 0049 211 20002500  
70784 Ellersriedt - Germany

info@allconnectors.de  
Fax: 0049 211 20002501  
Kette 100 mtr. 35