

A2550HB

2.54mm Pitch Crimp Flex Housing

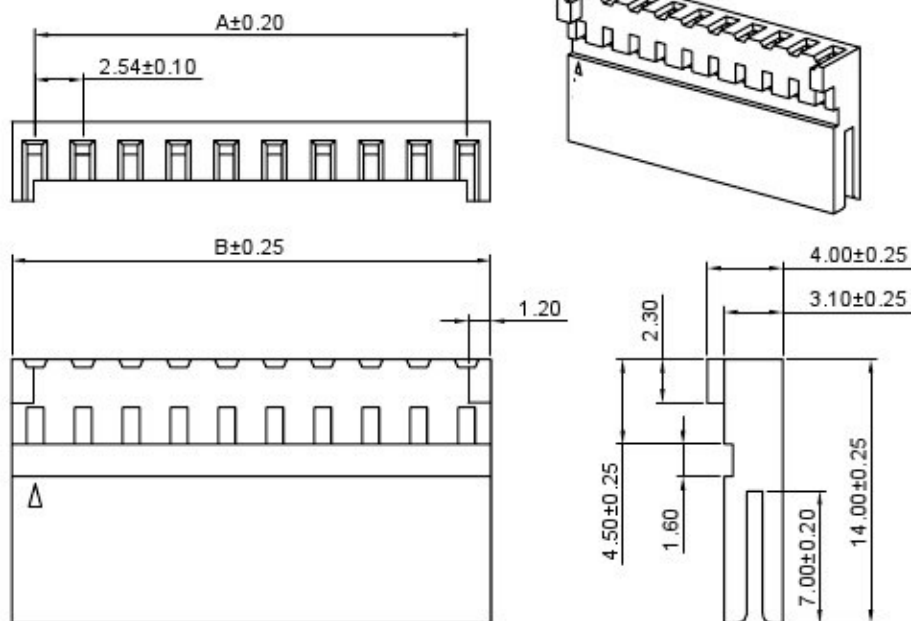
Reference Informations:

*Material: PBT30%GF, UL94V-0

*Suitable A2550 series Terminal (A2550-T(-H), A2550-T(-H)-CR, A2550-T-A, A2550-T-C.)

*Mates with A2549 series Single Row Wafer (A2549WVB, A2549WRB)

*Color: Black



Ordering Information & Dimensions:

PART NO.	Dimensions	
	A	B
A2550HB-2P	2.54	5.08
A2550HB-3P	5.08	7.62
A2550HB-4P	7.62	10.16
A2550HB-5P	10.16	12.70
A2550HB-6P	12.70	15.24
A2550HB-7P	15.24	17.78
A2550HB-8P	17.78	20.32
A2550HB-9P	20.32	22.86
A2550HB-10P	22.86	25.40
A2550HB-11P	25.40	27.94
A2550HB-12P	27.94	30.48
A2550HB-13P	30.48	33.02
A2550HB-14P	33.02	35.56
A2550HB-15P	35.56	38.10
A2550HB-16P	38.10	40.64
A2550HB-17P	40.64	43.18
A2550HB-18P	43.18	45.72
A2550HB-19P	45.72	48.26
A2550HB-20P	48.26	50.80
A2550HB-21P	50.80	53.34
A2550HB-22P	53.34	55.88
A2550HB-23P	55.88	58.42
A2550HB-24P	58.42	60.96
A2550HB-25P	60.96	63.50

Unit: mm

A2550H-A

2.54mm Pitch Crimp Flex Housing

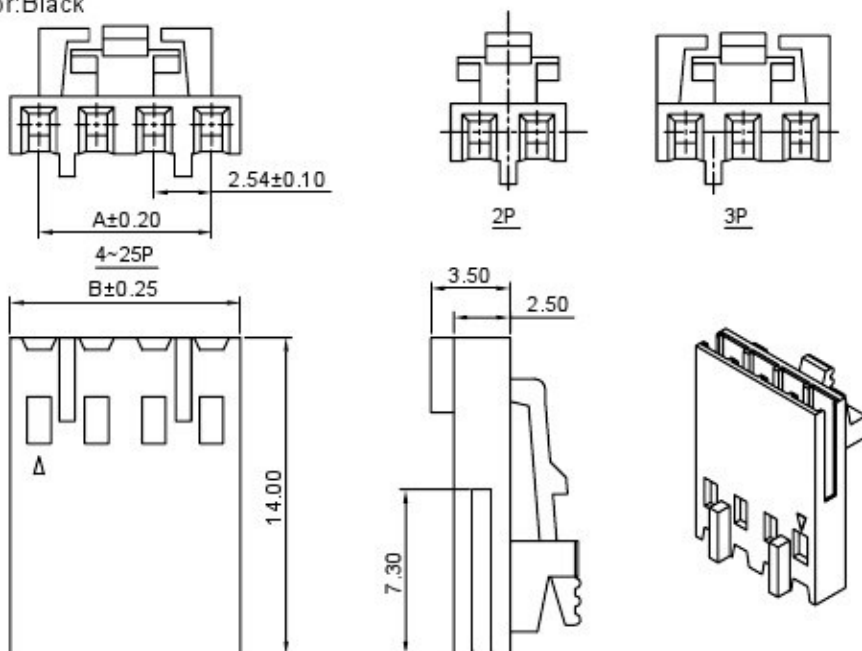
Reference Informations:

*Material: PBT30%GF, UL94V-0

*Suitable A2550 series Terminal (A2550-T(-H), A2550-T(-H)-CR, A2550-T-A, A2550-T-C)

*Mates with A2550HM, A2547HM series Housing or A2547WVA, A2547WRA series Wafer

*Color: Black



Ordering Information & Dimensions:

PART NO.	Dimensions	
	A	B
A2550H-2P-A	2.54	5.08
A2550H-3P-A	5.08	7.62
A2550H-4P-A	7.62	10.16
A2550H-5P-A	10.16	12.70
A2550H-6P-A	12.70	15.24
A2550H-7P-A	15.24	17.78
A2550H-8P-A	17.78	20.32
A2550H-9P-A	20.32	22.86
A2550H-10P-A	22.86	25.40
A2550H-11P-A	25.40	27.94
A2550H-12P-A	27.94	30.48
A2550H-13P-A	30.48	33.02
A2550H-14P-A	33.02	35.56
A2550H-15P-A	35.56	38.10
A2550H-16P-A	38.10	40.64
A2550H-17P-A	40.64	43.18
A2550H-18P-A	43.18	45.72
A2550H-19P-A	45.72	48.26
A2550H-20P-A	48.26	50.80
A2550H-21P-A	50.80	53.34
A2550H-22P-A	53.34	55.88
A2550H-23P-A	55.88	58.42
A2550H-24P-A	58.42	60.96
A2550H-25P-A	60.96	63.50

Unit: mm