

# A2550 SERIES

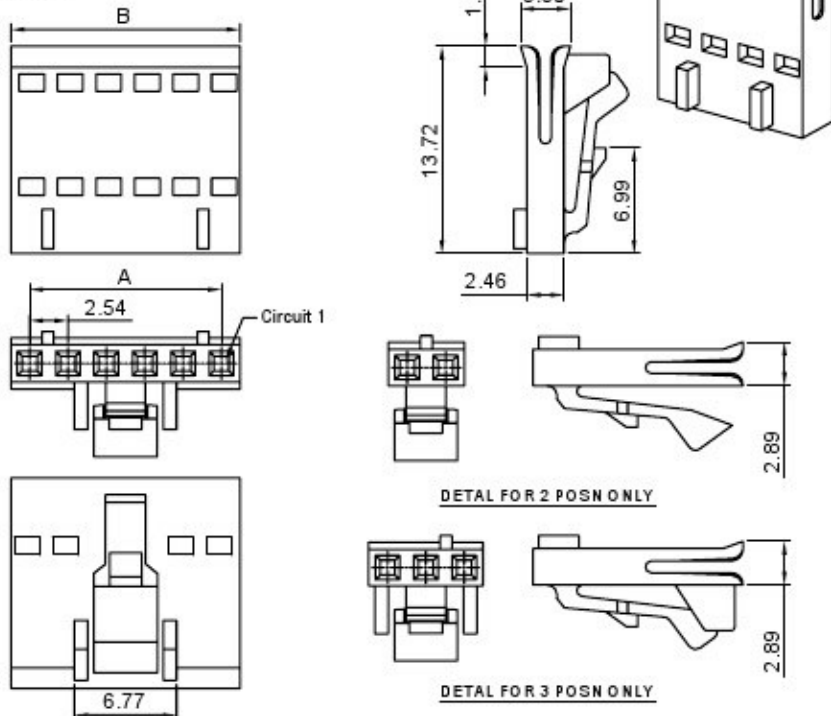
2.54mm pitch FFC Crimp Flex connector

## A2550H-H1

2.54mm Pitch Crimp Flex Housing

### Reference Informations:

- \*Material: PBT30%GF, UL94V-0
- \*Suitable A2550 series Terminal (A2550-T-B)
- \*Mates with A2547 series Wafer
- \*Color: Black



### Ordering Information & Dimensions:

PART NO.	Dimensions	
	A	B
A2550H-2P-H1	2.54	4.92
A2550H-3P-H1	5.08	7.46
A2550H-4P-H1	7.62	10.00
A2550H-5P-H1	10.16	12.54
A2550H-6P-H1	12.70	15.08
A2550H-7P-H1	15.24	17.62
A2550H-8P-H1	17.78	20.16
A2550H-9P-H1	20.32	22.70
A2550H-10P-H1	22.86	25.24
A2550H-11P-H1	25.40	27.78
A2550H-12P-H1	27.94	30.32
A2550H-13P-H1	30.48	32.86
A2550H-14P-H1	33.02	35.40
A2550H-15P-H1	35.56	37.94
A2550H-16P-H1	38.10	40.48
A2550H-17P-H1	40.64	43.02
A2550H-18P-H1	43.18	45.56
A2550H-19P-H1	45.72	48.10
A2550H-20P-H1	48.26	50.64
A2550H-21P-H1	50.80	53.18
A2550H-22P-H1	53.34	55.72
A2550H-23P-H1	55.88	58.26
A2550H-24P-H1	58.42	60.80
A2550H-25P-H1	60.96	63.34

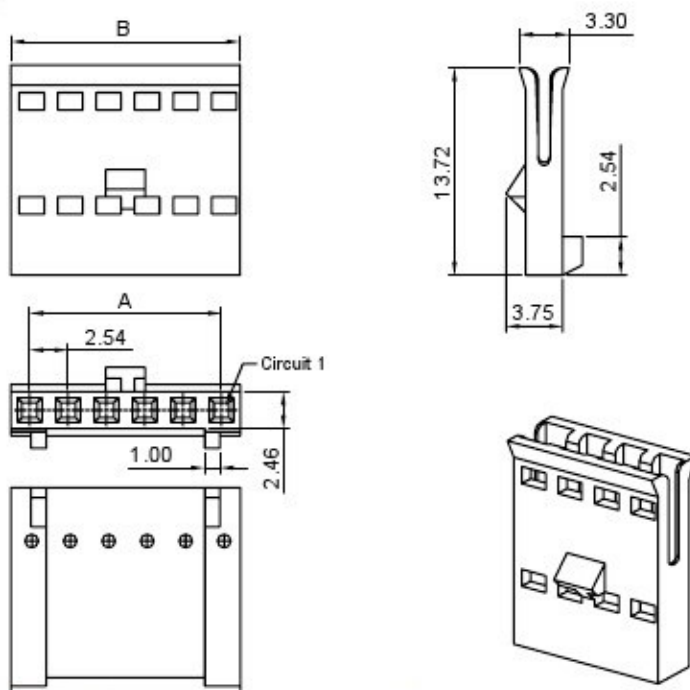
Unit: mm

## A2550H-I

2.54mm Pitch Crimp Flex Housing

### Reference Informations:

- \*Material: PBT30%GF, UL94V-0
- \*Suitable A2550 series Terminal (A2550-T-B)
- \*Mates with A2549 series Wafer or A2547WWE, A2547WRE series Wafer
- \*Color: Black



### Ordering Information & Dimensions:

PART NO.	Dimensions	
	A	B
A2550H-2P-I	2.54	4.92
A2550H-3P-I	5.08	7.46
A2550H-4P-I	7.62	10.00
A2550H-5P-I	10.16	12.54
A2550H-6P-I	12.70	15.08
A2550H-7P-I	15.24	17.62
A2550H-8P-I	17.78	20.16
A2550H-9P-I	20.32	22.70
A2550H-10P-I	22.86	25.24
A2550H-11P-I	25.40	27.78
A2550H-12P-I	27.94	30.32
A2550H-13P-I	30.48	32.86
A2550H-14P-I	33.02	35.40
A2550H-15P-I	35.56	37.94
A2550H-16P-I	38.10	40.48
A2550H-17P-I	40.64	43.02
A2550H-18P-I	43.18	45.56
A2550H-19P-I	45.72	48.10
A2550H-20P-I	48.26	50.64
A2550H-21P-I	50.80	53.18
A2550H-22P-I	53.34	55.72
A2550H-23P-I	55.88	58.26
A2550H-24P-I	58.42	60.80
A2550H-25P-I	60.96	63.34

Unit: mm