

A2550H-A1

2.54mm Pitch Crimp Flex Housing

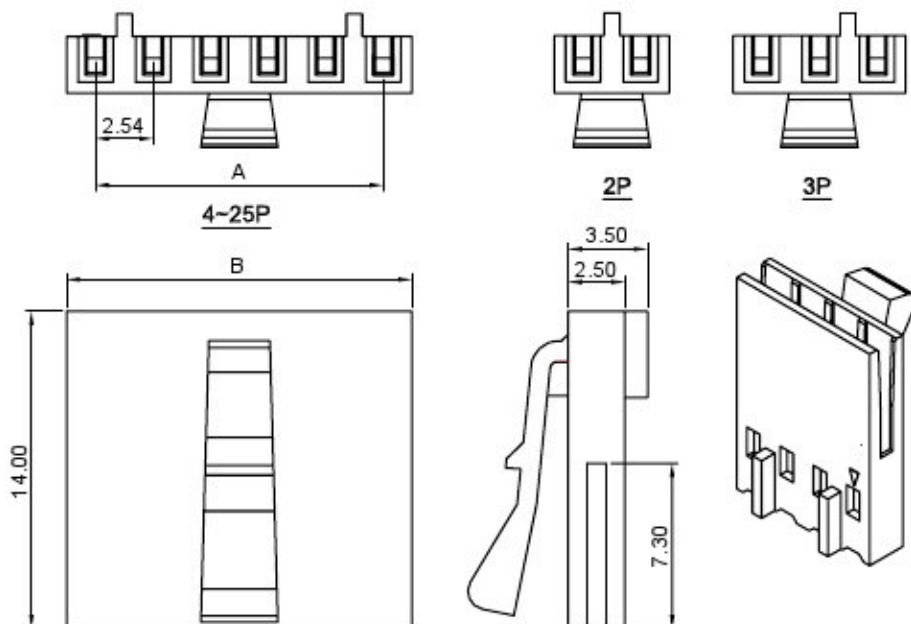
Reference Informations:

*Material: PBT30%GF, UL94V-0

*Suitable A2550 series Terminal (A2550-T(-H), A2550-T(-H)-CR, A2550-T-A, A2550-T-C)

*Mates with A2550HM, A2547HM series Housing or A2547WVA, A2547WRA series Wafer

*Color: Black



Ordering Information & Dimensions:

PART NO.	Dimensions	
	A	B
A2550H-2P-A1	2.54	5.08
A2550H-3P-A1	5.08	7.62
A2550H-4P-A1	7.62	10.16
A2550H-5P-A1	10.16	12.70
A2550H-6P-A1	12.70	15.24
A2550H-7P-A1	15.24	17.78
A2550H-8P-A1	17.78	20.32
A2550H-9P-A1	20.32	22.86
A2550H-10P-A1	22.86	25.40
A2550H-11P-A1	25.40	27.94
A2550H-12P-A1	27.94	30.48
A2550H-13P-A1	30.48	33.02
A2550H-14P-A1	33.02	35.56
A2550H-15P-A1	35.56	38.10
A2550H-16P-A1	38.10	40.64
A2550H-17P-A1	40.64	43.18
A2550H-18P-A1	43.18	45.72
A2550H-19P-A1	45.72	48.26
A2550H-20P-A1	48.26	50.80
A2550H-21P-A1	50.80	53.34
A2550H-22P-A1	53.34	55.88
A2550H-23P-A1	55.88	58.42
A2550H-24P-A1	58.42	60.96
A2550H-25P-A1	60.96	63.50

Unit: mm

A2550H-A2

2.54mm Pitch Crimp Flex Housing

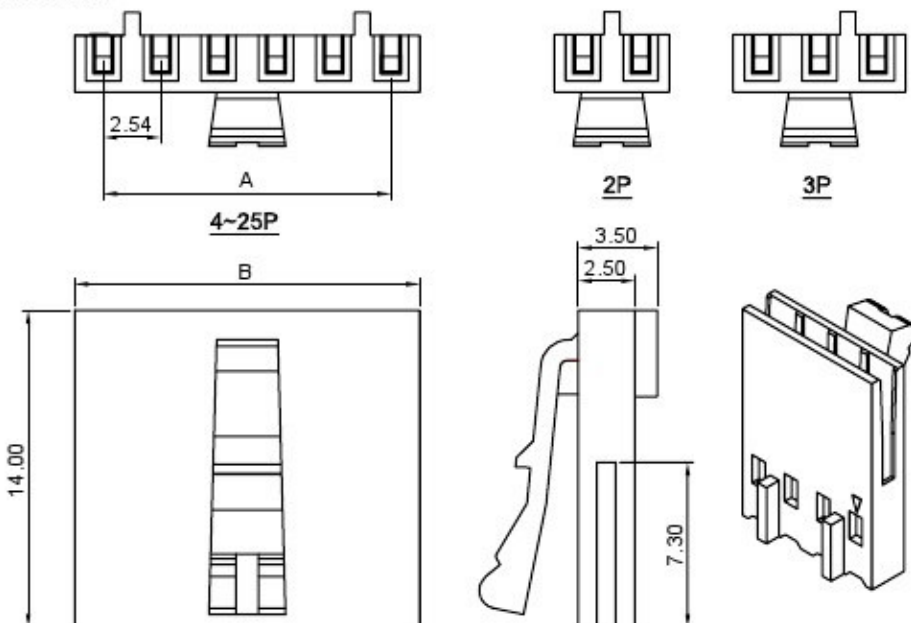
Reference Informations:

*Material: PBT30%GF, UL94V-0

*Suitable A2550 series Terminal (A2550-T(-H), A2550-T(-H)-CR, A2550-T-A, A2550-T-C)

*Mates with A2550HM, A2547HM series Housing or A2547WVA, A2547WRA series Wafer

*Color: Black



Ordering Information & Dimensions:

PART NO.	Dimensions	
	A	B
A2550H-2P-A2	2.54	5.08
A2550H-3P-A2	5.08	7.62
A2550H-4P-A2	7.62	10.16
A2550H-5P-A2	10.16	12.70
A2550H-6P-A2	12.70	15.24
A2550H-7P-A2	15.24	17.78
A2550H-8P-A2	17.78	20.32
A2550H-9P-A2	20.32	22.86
A2550H-10P-A2	22.86	25.40
A2550H-11P-A2	25.40	27.94
A2550H-12P-A2	27.94	30.48
A2550H-13P-A2	30.48	33.02
A2550H-14P-A2	33.02	35.56
A2550H-15P-A2	35.56	38.10
A2550H-16P-A2	38.10	40.64
A2550H-17P-A2	40.64	43.18
A2550H-18P-A2	43.18	45.72
A2550H-19P-A2	45.72	48.26
A2550H-20P-A2	48.26	50.80
A2550H-21P-A2	50.80	53.34
A2550H-22P-A2	53.34	55.88
A2550H-23P-A2	55.88	58.42
A2550H-24P-A2	58.42	60.96
A2550H-25P-A2	60.96	63.50

Unit: mm