

# A2550 SERIES

2.54mm pitch FFC Crimp Flex connector

## A2550-T-E

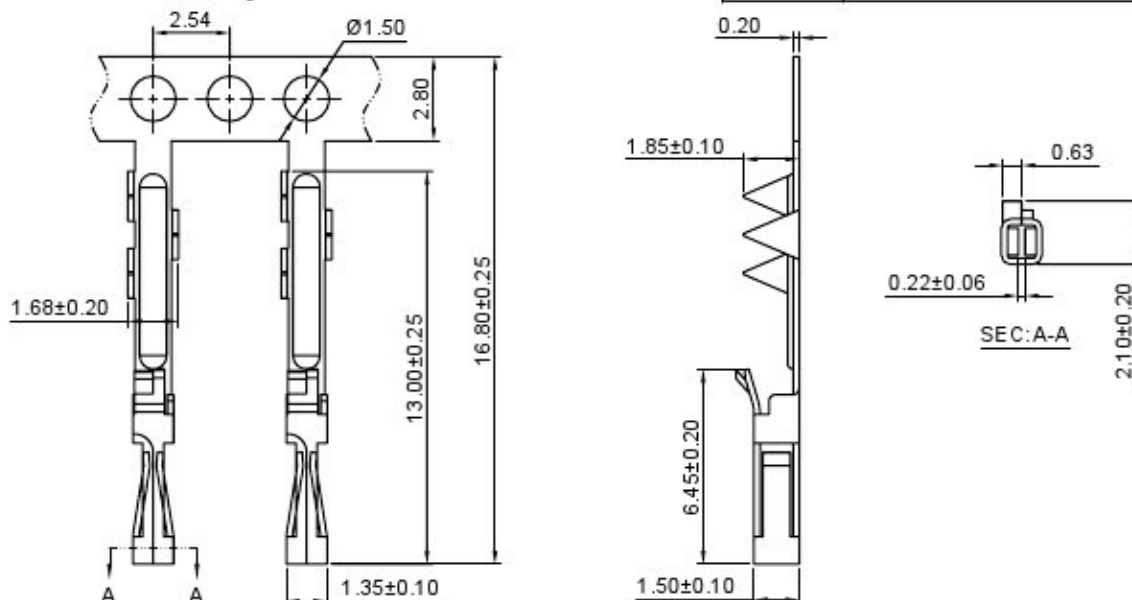
2.54mm pitch Crimp Flex Terminal

Use With A2550 series Housing:

Single Row	A2550H-M A2550H-M1 A2550H-M2
	A2550H-M3

### Reference Informations:

\*Used in A2550 series Housing



Ordering information & Specifications:

Unit:mm

Part NO.	Wire Range	Insulation O.D.	Material	Finish	Qty/reel
A2550-TP-E	FFC WIRE	-----	Phosphor Bronze	Tin over Nickel	15,000 PCS
A2550-GP-E	FFC WIRE	-----	Phosphor Bronze	Gold over Nickel	15,000 PCS

Optional Gold plating available but MOQ requested

## A2550-T-K

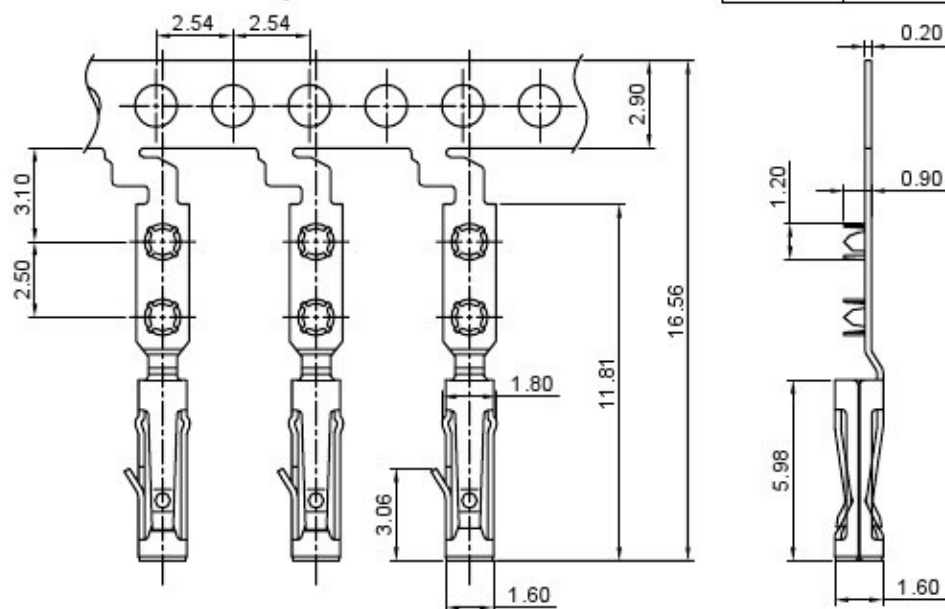
2.54mm pitch Crimp Flex Terminal

Use With A2550 series Housing:

Single Row	A2550HK
Dual Row	A2550HK-2

### Reference Informations:

\*Used in A2550HK series Housing



Ordering information & Specifications:

Unit:mm

Part NO.	Wire Range	Insulation O.D.	Material	Finish	Qty/reel
A2550-TP-K	FFC WIRE	-----	Phosphor Bronze	Tin over Nickel	20,000 PCS
A2550-GP-K	FFC WIRE	-----	Phosphor Bronze	Gold over Nickel	20,000 PCS

Optional Gold plating available but MOQ requested

**Allconnectors**

www.allconnectors.de  
Tel.: 0049 711 7009503  
70794 Hildersdorf, Germany

info@allconnectors.de  
Fax: 0049 711 7009504  
Kellenmerstr. 25