

A2550 SERIES

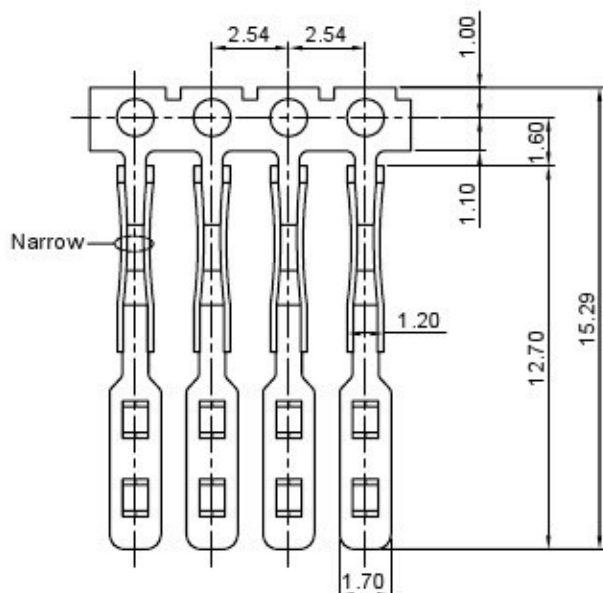
2.54mm pitch FFC Crimp Flex connector

A2550-T-CR

2.54mm Pitch Low Insertion Force Crimp Terminal

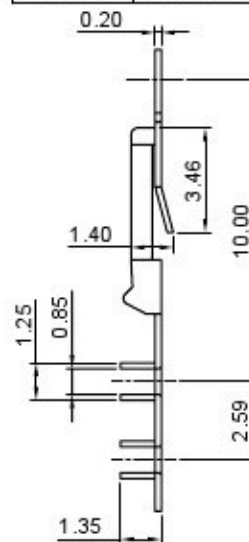
Reference Informations:

*Used in A2550 series Housing



Use With A2550 series Housing:

Single Row	A2550H, A2550HA, A2550H8, A2550H-A A2550H-B, A2550H-C, A2550H-C1, A2550H-D A2550H-E, A2550H-F, A2550H-J
Dual Row	A2550H-2, A2550HA-2



Ordering information & Specifications:

Unit:mm

Part NO.	Wire Range	Insulation O.D.	Material	Finish	Qty/reel
A2550-TP-CR	FFC WIRE	-----	Phosphor Bronze	Tin over Nickel	20,000 PCS
A2550-GP-CR	FFC WIRE	-----	Phosphor Bronze	Gold over Nickel	20,000 PCS

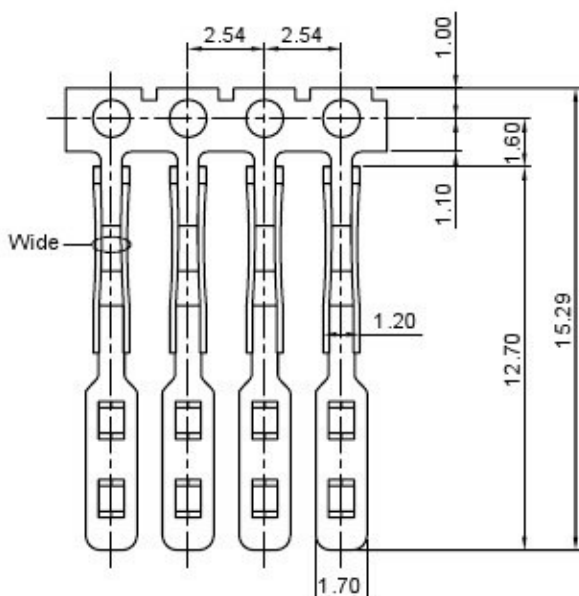
Optional Gold plating available but MOQ requested

A2550-T-H-CR

2.54mm Pitch High Insertion Force Crimp Terminal

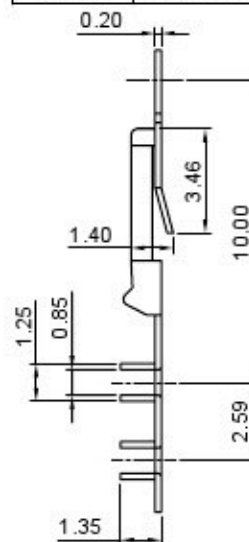
Reference Informations:

*Used in A2550 series Housing



Use With A2550 series Housing:

Single Row	A2550H, A2550HA, A2550H8, A2550H-A A2550H-B, A2550H-C, A2550H-C1, A2550H-D A2550H-E, A2550H-F, A2550H-J
Dual Row	A2550H-2, A2550HA-2



Ordering information & Specifications:

Unit:mm

Part NO.	Wire Range	Insulation O.D.	Material	Finish	Qty/reel
A2550-TP-H-CR	FFC WIRE	-----	Phosphor Bronze	Tin over Nickel	20,000 PCS
A2550-GP-H-CR	FFC WIRE	-----	Phosphor Bronze	Gold over Nickel	20,000 PCS

Optional Gold plating available but MOQ requested