

A2550 SERIES

2.54mm pitch FFC Crimp Flex connector

A2550-T-C

2.54mm Pitch Hi-Flex Crimp Terminal

Use With A2550 series Housing:

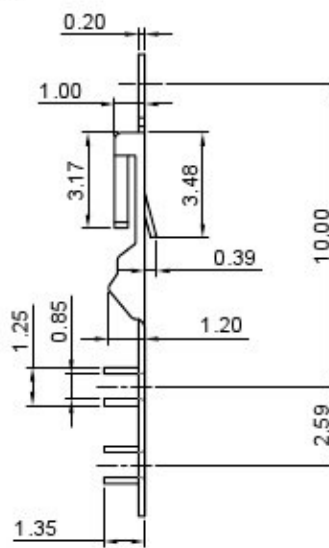
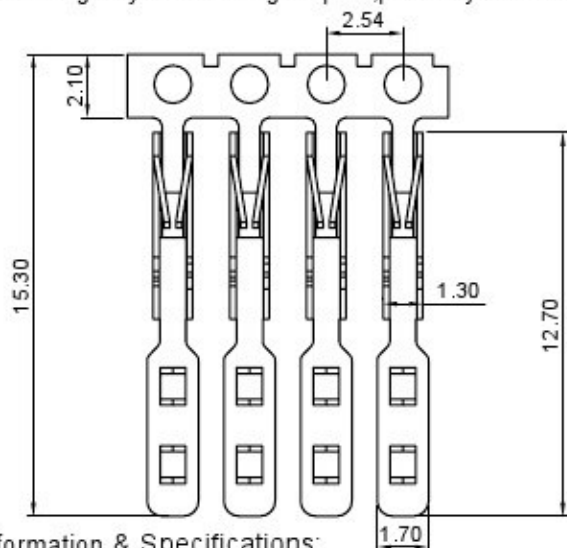
Single Row	A2550H, A2550HA, A2550HB, A2550H-A
	A2550H-B, A2550H-C, A2550H-C1, A2550H-D
Dual Row	A2550H-E, A2550H-F, A2550H-J
	A2550H-2, A2550HA-2

Reference Informations:

*Used in A2550 series Housing

*The Hi-Flex female contact designed to offer a stable insertion force and low contact resistance over larger number of mating cycles

*More resistant to damage by bent or angled pins, primarily on test devices



Ordering information & Specifications:

Unit:mm

Part NO.	Wire Range	Insulation O.D.	Material	Finish	Qty/reel
A2550-TP-C	FFC WIRE	-----	Phosphor Bronze	Tin over Nickel	20,000 PCS
A2550-GP-C	FFC WIRE	-----	Phosphor Bronze	Gold over Nickel	20,000 PCS

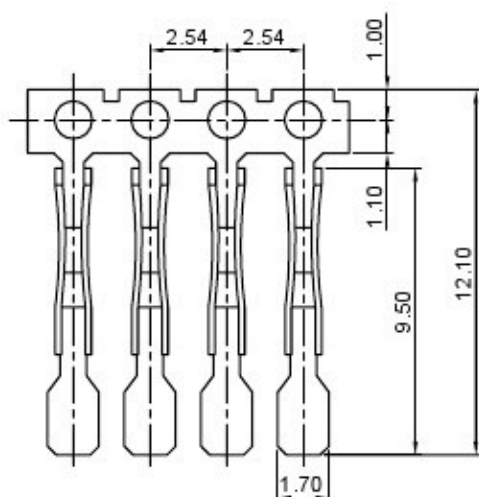
Optional Gold plating available but MOQ requested

A2550-T-D

2.54mm pitch Crimp Flex Terminal

Reference Informations:

*Designed for Soldering directly to Flexible PCB or Ultra Thin Rigged PCBs



Ordering information & Specifications:

Unit:mm

Part NO.	Wire Range	Insulation O.D.	Material	Finish	Qty/reel
A2550-TP-D	FFC WIRE	-----	Phosphor Bronze	Tin over Nickel	20,000 PCS
A2550-GP-D	FFC WIRE	-----	Phosphor Bronze	Gold over Nickel	20,000 PCS

Optional Gold plating available but MOQ requested

Allconnectors

www.allconnectors.de
Tel.: 0819 / 717 20095-0
40219 Soltdorf - Germany

Info@allconnectors.de
Fax: 0819 / 717 20095-14
Kellerstr. 25