

A2550 SERIES

2.54mm pitch FFC Crimp Flex connector

A2550-T-A

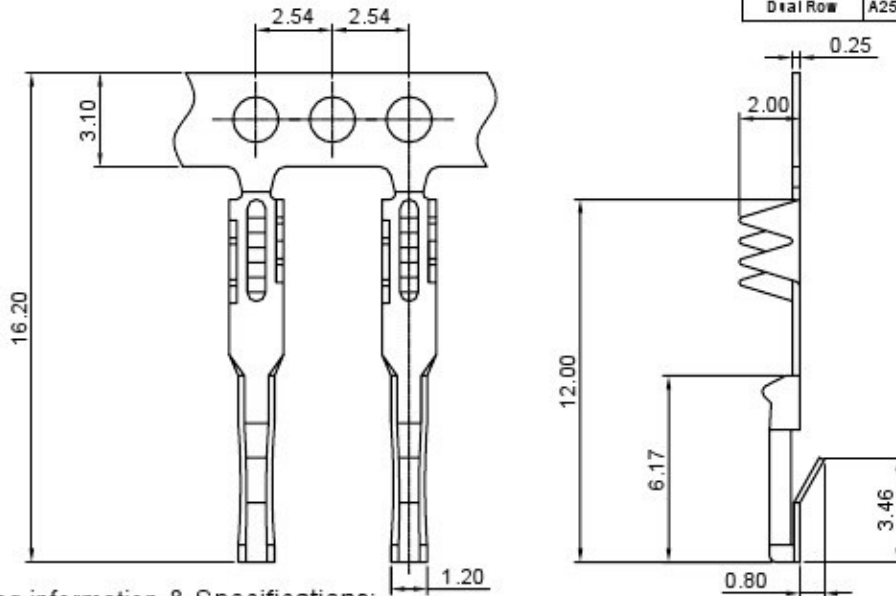
2.54mm pitch Crimp Flex Terminal

Reference Informations:

*Used in A2550 series Housing

Use With A2550 series Housing :

Single Row	A2550H, A2550HA, A2550HB, A2550H-A
	A2550H-B, A2550H-C, A2550H-C1, A2550H-D
	A2550H-E, A2550H-F, A2550H-J
Dual Row	A2550H-2, A2550HA-2



Ordering information & Specifications:

Unit:mm

Part NO.	Wire Range	Insulation O.D.	Material	Finish	Qty/reel
A2550-TP-A	FFC WIRE	-----	Phosphor Bronze	Tin over Nickel	10,000 PCS
A2550-GP-A	FFC WIRE	-----	Phosphor Bronze	Gold over Nickel	10,000 PCS

Optional Gold plating available but MOQ requested

A2550-T-B

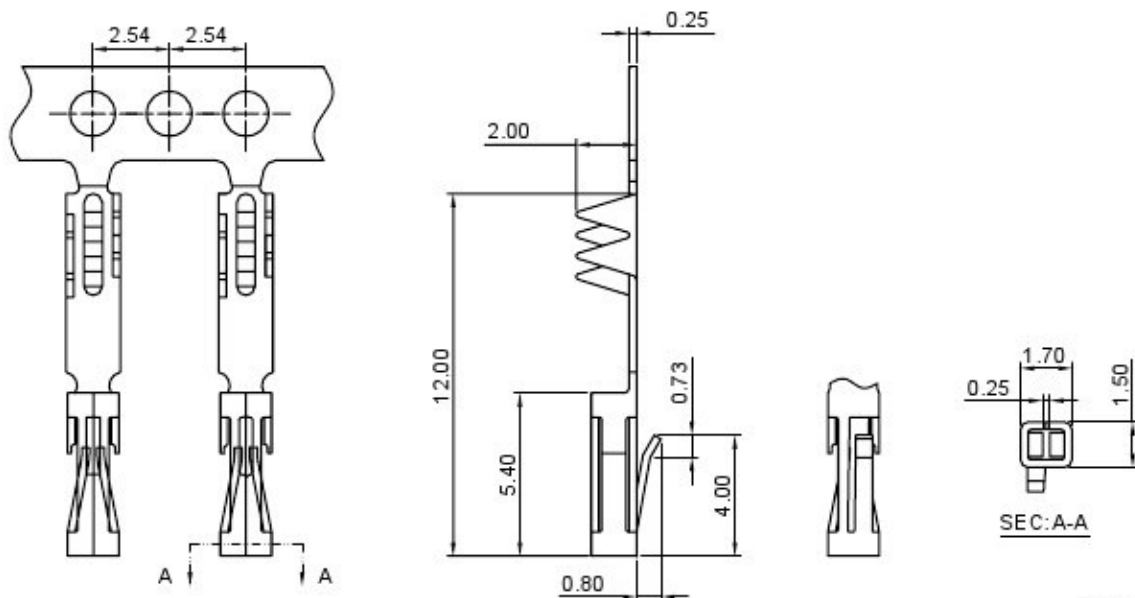
2.54mm pitch Crimp Flex Terminal

Reference Informations:

*Used in A2550 series Housing

Use With A2550 series Housing :

Single Row	A2550H-G, A2550H-H, A2550H-I
------------	------------------------------



Ordering information & Specifications:

Unit:mm

Part NO.	Wire Range	Insulation O.D.	Material	Finish	Qty/reel
A2550-TP-B	FFC WIRE	-----	Phosphor Bronze	Tin over Nickel	14,000 PCS
A2550-GP-B	FFC WIRE	-----	Phosphor Bronze	Gold over Nickel	14,000 PCS

Optional Gold plating available but MOQ requested

All Connectors

www.allconnectors.de
Tel: +49 (0) 71 71 400500
20 721 1 (Hilfeshield) - Germany

info@allconnectors.de
Fax: +49 (0) 71 71 400501
Kellerstr. 11, 75