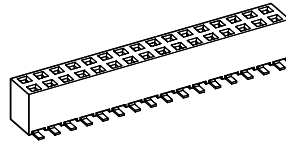


RoHS compliant



## SPECIFICATION

Current Rating: 3 Amp  
 Insulation Resistance: 5000 Megohms min  
 Contact Resistance: 20 m ohms Max  
 Dielectric Withstanding: AC 500 V  
 Operating Temperature: -65 ° C to +125° C  
 Contact Material: Phosphor Bronze  
 Insulator Material: High Temperature Plastic UL94V-0

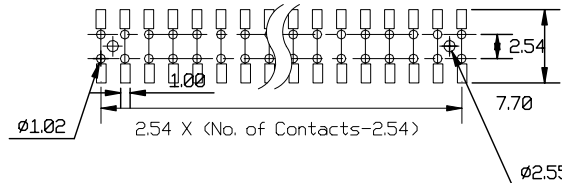
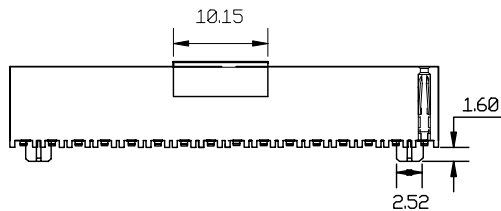
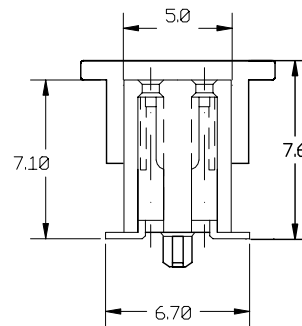
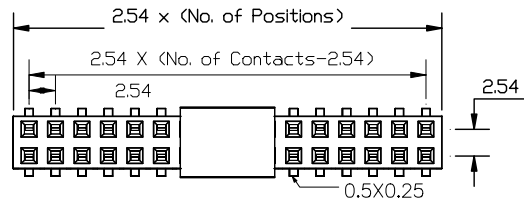
## Processing

Max Processing Temp: 260 ° C for 6 seconds  
 SMT Lead Coplanarity:  
 (0.10mm).004"max (10-50)  
 (0.15mm).006"max (52-80)

Ordering Code:

$\text{EFS03C-} \frac{X}{1} - \frac{X}{2} - \frac{C}{3} - \frac{X}{5}$

- ① Series No: 04 TO 80
- ② No. of Contact
- ③ Contact Plating  
 H: Gold Flash/Tin  
 I: 5u" Gold/Tin  
 J: 10u" Gold /Tin  
 K: 15u" Gold /Tin
- ④ Special Function  
 C: With Cross Locating Peg
- ⑤ Code Packing  
 A: Tube  
 B: Pad+Tube  
 C: Pad+T&R



RECOMMENDED P.C.B LAYOUT (TOP VIEW)  
 TOLERANCES : ±0.10mm

UNLESS OTHERWISE SPECIFIED TOLERANCE	<b>All connectors</b> <small>www.allconnectors.eu   info@allconnectors.eu                  Tel. +49 (0)711 / 358 110 20   Fax +49 (0)711 / 358 110 25</small>	
SCALE: AS SHOWN	UNIT: mm	TITLE: 254mm Female Header, SMT Type Profile: 7.1mm, Cross peg DRAWN NO: ES03-XXCX/7.1-1 PRODUCT NO. EFS03-XXCX
DRAWN	CHECKED	
APPROVED	DATE	

REV	DESCRIPTION	DATE