

RoHS compliant

SPECIFICATION

Current Rating: 3 Amp
 Insulation Resistance: 5000 Megohms min
 Contact Resistance: 20 m ohms Max
 Dielectric Withstanding: AC 500 V
 Operating Temperature: -65 ° C to +125° C
 Contact Material: Phosphor Bronze
 Insulator Material: High Temperature Plastic UL94V-0

Ordering Code:

EFD10- X - X - X - X
 ① ② ③ ④ ⑤

① Series No:

② No. of Contact
 04 TO 40

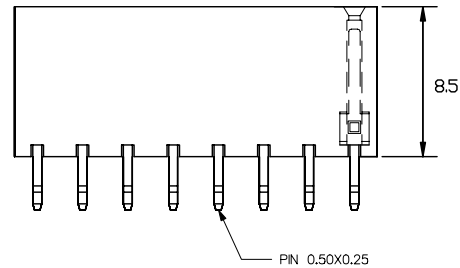
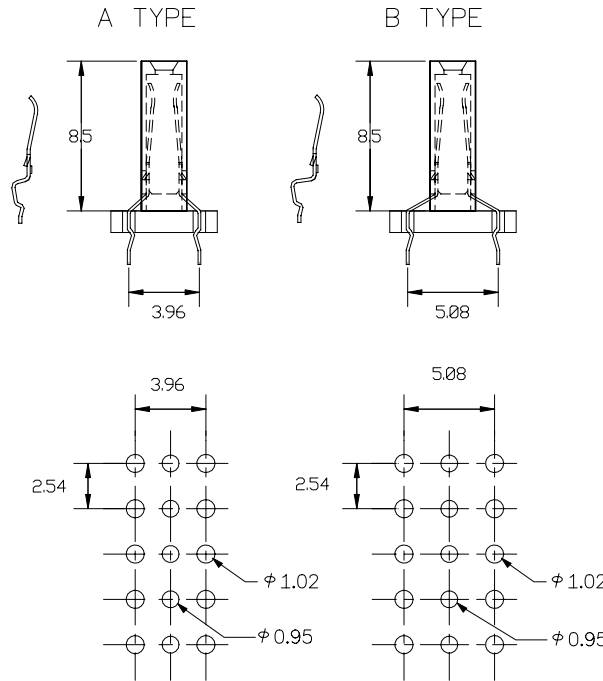
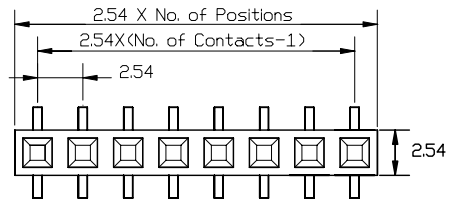
⑤ Code Packing
 A: Tube

③ Connector Type

A: Type A
 B: Type B

④ Contact Plating

A: Gold Flash
 E: 3u" Gold
 B: 10u" Gold
 C: 15u" Gold
 D: 30u" Gold
 T: Tin Plated



PIN 0.50X0.25

Recommended P.C.Board Hole Layout

UNLESS OTHERWISE SPECIFIED TOLERANCE

ANG.
 0
 .0 ±0.25
 .00 ±0.2

SCALE: AS SHOWN UNIT: mm

Allconnectors

www.allconnectors.eu | info@allconnectors.eu
 Tel. +49 (0)711 / 358 110 20 | Fax +49 (0)711 / 358 110 25

DRAWN

CHECKED

APPROVED

TITLE: 2.54mm Female Header Profile:8.5mm

DRAWN NO: EFD10-XXXX-1

PRODUCT NO. EFD10-XXXX

REV	DESCRIPTION	DATE