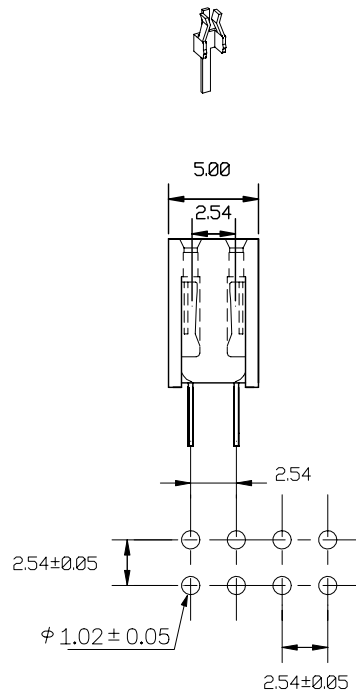
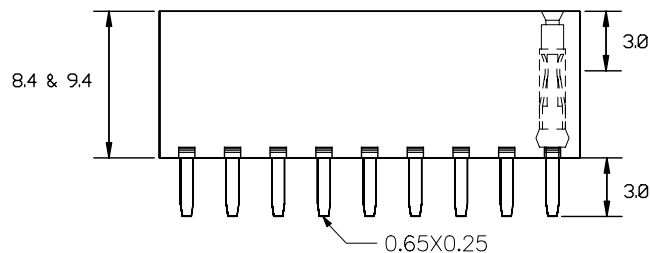
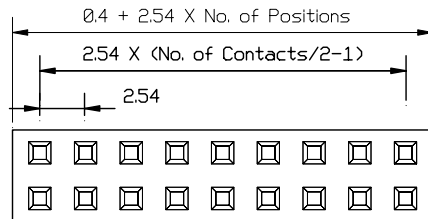


RoHS compliant



Recommended P.C.Board Hole Layout

## SPECIFICATION

Current Rating: 3 Amp  
 Insulation Resistance: 5000 Megohms min  
 Contact Resistance: 20 m ohms Max  
 Dielectric Withstanding: AC 500 V  
 Operating Temperature: -65 ° C to +125° C  
 Contact Material: Phosphor Bronze  
 Insulator Material: High Temperature Plastic UL94V-0

Ordering Code:

EFD09- X - X - X - X  
 ① ② ③ ④ ⑤

- ① Series No:
- ② No. of Contact  
04 TO 80
- ③ Connector Type  
Profile:  
A: 8.4mm  
B: 9.4mm
- ④ Contact Plating  
H: Gold Flash/Tin  
F: 3u" Gold/Tin  
I: 5u" Gold  
J: 10u" Gold /Tin  
K: 15u" Gold/Tin  
T: Tin Plated
- ⑤ Code Packing  
T: Tray

|                                      |             |  |
|--------------------------------------|-------------|--|
| UNLESS OTHERWISE SPECIFIED TOLERANCE |             | <br>www.allconnectors.eu   info@allconnectors.eu<br>Tel. +49 (0)711 / 358 110 20   Fax +49 (0)711 / 358 110 25 |
| ANG.<br>0.<br>.0 ±0.25<br>.00 ±0.2   |             |  |
| SCALE: AS SHOWN                      | UNIT: mm    |  |
| DRAWN                                | CHECKED     | TITLE: 2.54mm Female Header<br>Straight Type, Profile: 8.4 & 9.4mm   |
| APPROVED                             | DATE        | DRAWN NO: EFD09-XXXX-1   |
| REV                                  | DESCRIPTION | PRODUCT NO. EFD09-XXXX   |