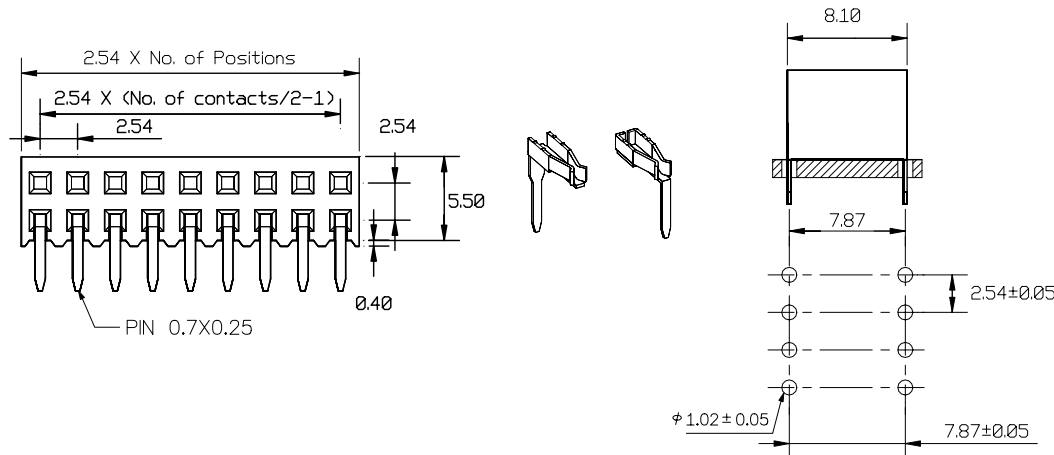
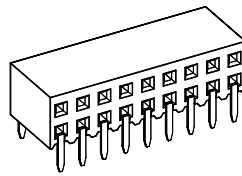


RoHS compliant



Recommended P.C.Board Hole Layout

SPECIFICATION

Current Rating: 3 Amp
 Insulation Resistance: 5000 Megohms min
 Contact Resistance: 20 m ohms Max
 Dielectric Withstanding: AC 500 V
 Operating Temperature: -65 ° C to +125° C
 Contact Material: Phosphor Bronze
 Insulator Material: High Temperature Plastic UL94V-0

Ordering Code:

EFD06- X - X - X
 ① ② ③ ④

① Series No:

② No. of Contact
 04 TO 80

③ Contact Plating

A: Gold Flash
 E: 3u" Gold
 B: 10u" Gold
 C: 15u" Gold
 D: 30u" Gold
 T: Tin Plated

④ Code Packing

A: Tube
 B: Tray

| | | |
|--------------------------------------|-------------|--|
| UNLESS OTHERWISE SPECIFIED TOLERANCE | | www.allconnectors.eu info@allconnectors.eu Tel. +49 (0)711 / 358 110 20 Fax +49 (0)711 / 358 110 25 |
| ANG. 0. 0 ±0.25 .00 ±0.2 | | |
| SCALE: AS SHOWN | UNIT: mm | TITLE: 2.54mm Female Header Side Entry Type DRAWN NO: EFD06-XXX-1 PRODUCT NO. EFD06-XXX |
| DRAWN | | |
| CHECKED | | |
| APPROVED | | |
| REV | DESCRIPTION | DATE |