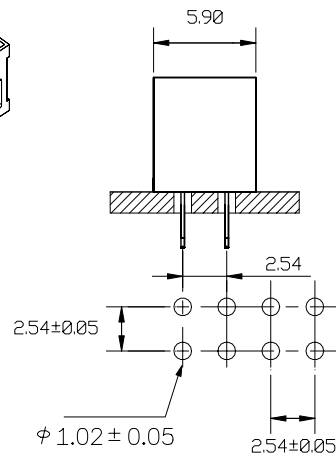
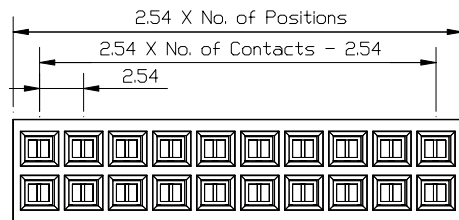
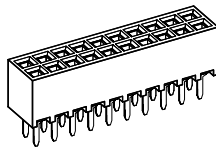
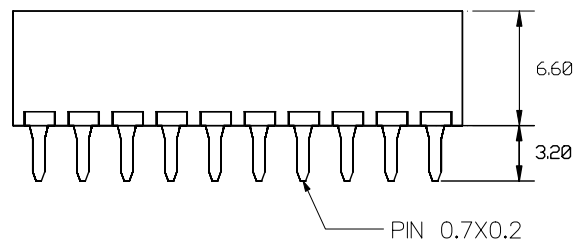


RoHS compliant



Recommended P.C.Board Hole Layout



## SPECIFICATION

Current Rating: 1 Amp  
 Insulation Resistance: 5000 Megohms min  
 Contact Resistance: 20 m ohms Max  
 Dielectric Withstanding: AC 500 V  
 Operating Temperature: -65 ° C to +125° C  
 Contact Material: Phosphor Bronze  
 Insulator Material: High Temperature Plastic UL94V-0

Ordering Code:

EFD05- X - X - X  
 ① ② ③ ④

- ① Series No:
- ② No. of Contact  
04 TO 40
- ③ Contact Plating  
A: Gold Flash
- ④ Code Packing  
B: Tray

UNLESS OTHERWISE SPECIFIED TOLERANCE  
 ANG.  
 0.  
 0 ±0.25  
 .00 ±0.2

SCALE: AS SHOWN UNIT: mm

**All Connectors**

www.allconnectors.eu | info@allconnectors.eu  
 Tel: +49 (0)711 / 358 110 20 | Fax +49 (0)711 / 358 110 25

DRAWN  
 CHECKED  
 APPROVED

TITLE:  
2.54mm Female Header, Straight Type  
Profile: 6.6mm  
 DRAWN NO: EFD05-XXX-1  
 PRODUCT NO. EFD05-XXX

REV	DESCRIPTION	DATE