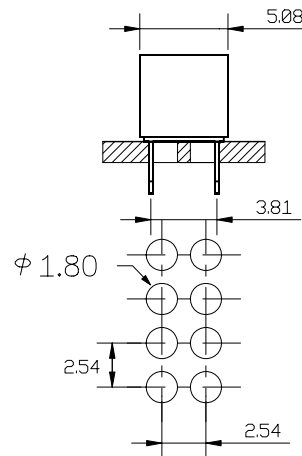
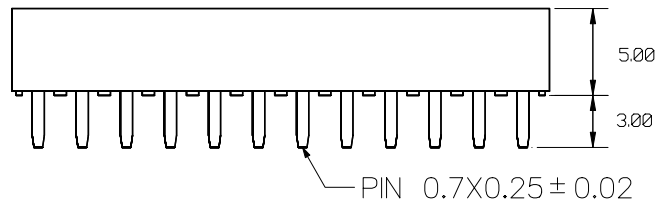
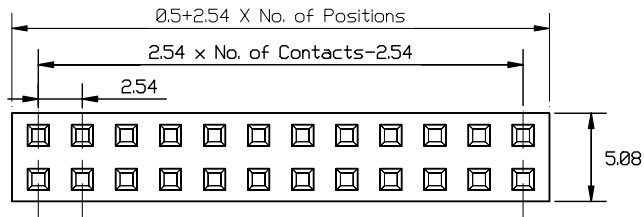
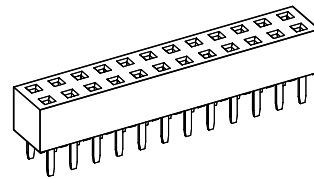


RoHS compliant



SPECIFICATION

Current Rating: 3 Amp
 Insulation Resistance: 5000 Megohms min
 Contact Resistance: 20 m ohms Max
 Dielectric Withstanding: AC 500 V
 Operating Temperature: -65 ° C to +125° C
 Contact Material: Phosphor Bronze
 Insulator Material: High Temperature Plastic UL94V-0

Ordering Code:

EFD01B- X - X - X
 ① ② ③ ④

- ① Series No:
- ② No. of Contact
04 TO 80
- ③ Contact Plating
A: Gold Flash
E: 3u" Gold
B: 10u" Gold
C: 15u" Gold
D: 30u" Gold
T: Tin Plated
- ④ Code Packing
A: Tube
B: Tray

UNLESS OTHERWISE SPECIFIED TOLERANCE		 <small>www.allconnectors.eu info@allconnectors.eu Tel: +49 (0)711 / 358 110 20 Fax +49 (0)711 / 358 110 25</small>
ANG. 0. 0 ±0.25 .00 ±0.2		
SCALE: AS SHOWN	UNIT: mm	
DRAWN		TITLE: 2.54mm Female Header, Straight Type Profile: 5.0mm
CHECKED		
APPROVED		DRAWN NO: EFD01B-XXX-1
REV		PRODUCT NO. EFD01B-XXXX
DESCRIPTION		
DATE		

REV

DESCRIPTION

DATE

PRODUCT NO. EFD01B-XXXX