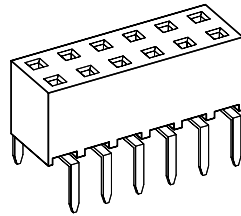


RoHS compliant



SPECIFICATION

Current Rating: 1 Amp
 Insulation Resistance: 5000 Megohms min
 Contact Resistance: 20 m ohms Max
 Dielectric Withstanding: AC 500 V
 Operating Temperature: -65 ° C to +125° C
 Contact Material: Phosphor Bronze
 Insulator Material: High Temperature Plastic
 UL94V-0

Ordering Code:

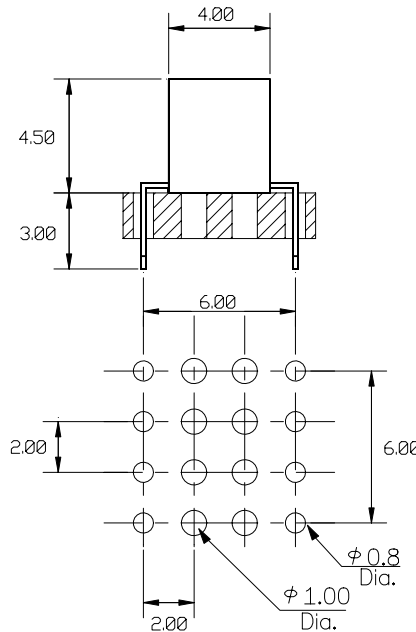
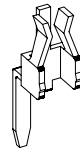
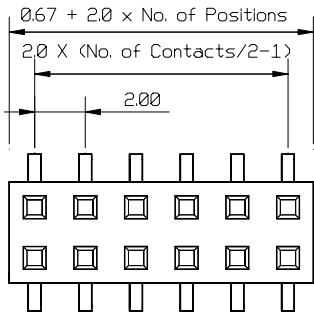
DFD04C- X - X - X
 ① ② ③ ④

① Series No:

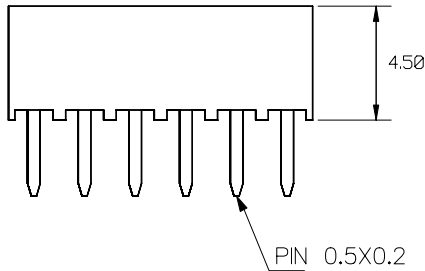
② No. of Contact
 04 TO 80

③ Contact Plating
 A: Gold Flash
 E: 3u" Gold
 B: 10u" Gold
 C: 15u" Gold
 D: 30u" Gold
 T: Tin Plated

④ Code Packing
 A: Tube
 B: Tray



Recommended P.C.Board
 Hole Layout



UNLESS OTHERWISE
 SPECIFIED TOLERANCE
 ANG.
 0.
 0 ±0.25
 .00 ±0.2

SCALE: AS SHOWN UNIT: mm

Allconnectors

www.allconnectors.eu | info@allconnectors.eu
 Tel: +49 (0)711 / 358 110 20 | Fax: +49 (0)711 / 358 110 25

DRAWN
 CHECKED
 APPROVED

TITLE:
 2.0mm Female Header, Straight Type
 Profile: 4.5mm
 DRAWN NO: DFD04C-XXX-1
 PRODUCT NO. DFD04C-XXX

REV	DESCRIPTION	DATE