

Specifications

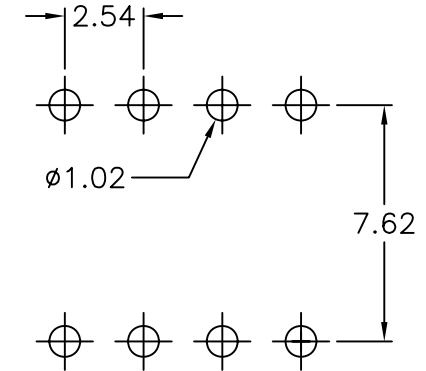
Current Rating: 3Amp
 Insulation Resistance: 1000MΩ Min.
 Dielectric Withstanding: 600V AC/DC
 Contact Resistance: 20mΩ Max.
 Operating Temperature: -40°C to +105°C

Materials

Contact Material: Phosphor Bronze
 Insulation Material: Polyester, UL 94V-0
 All materials must be GP materials
 注: 02~24PIN塑膠材質用P.B.T料生產,
 25~40PIN塑膠材質用PA6T+20%料生產.

Recommended P.C.Board

Hole Layout



Ordering Information

HFNSR6 - XX XX XXX P

No. of Pins Per Row 02-40	Standard Plating 01=Gold Flash 02=Gold 3U" 11=Tin XX=Select Plating	Pin Length 001 =3.0/7.62 XXX=Select A/W	Material L=LCP T=NL6T P=PBT
---------------------------------	---	---	--------------------------------------

GENERAL TOLERANCE	ANGLE TOLERANCE	DESIGN DATE Andy2005.08.12	 www.allconnectors.eu info@allconnectors.eu Tel. +49 (0)711 / 358 110 20 Fax +49 (0)711 / 358 110 25	
X. ±0.38 .XX ±0.25 .XXX ±0.13	X' ±5° .X' ±2° .XX' ±1° .XXX' ±0.5°	CHECK DATE		
UNIT:mm	SCALE 1:1	APPRO. DATE	FILE NAME (品名)	2.54MM Female Header R/A TYPE
A4	SHEET: 1 of 1		PART NO (料号)	HFNSR6-XXXXXXXP
			DRAWING NO.(图号)	HFISR6-01
				REV.AO