

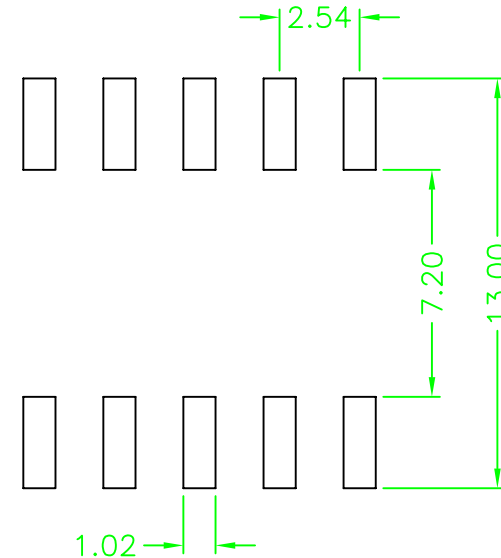
### Specifications

Current Rating: 3Amp  
 Insulation Resistance: 1000MΩ Min.  
 Dielectric Withstanding: 600V AC/DC  
 Contact Resistance: 20mΩ Max.  
 Operating Temperature: -40°C to +105°C

### Materials

Contact Material: Phosphor Bronze  
 Insulation Material: Polyester, UL 94V-0  
 Nylon 6T  
 All materials must be GP materials

### Recommended P.C.Board Layout



### Ordering Information

HFNDSV6 - XX XX XXX T X

No. of Pins Per Row 02-40	Standard Plating 01=Gold Flash 02=Gold 3U" 11=Tin XX=Select Plating	Pin Length 001=12 XXX=Select W	Material L=LCP T=NL6T	Packing TR=Tape+Reel T=Tube
------------------------------	---	--------------------------------------	-----------------------------	-----------------------------------

GENERAL TOLERANCE	ANGLE TOLERANCE	DESIGN DATE Andy2005.08.12	 www.allconnectors.eu   info@allconnectors.eu Tel. +49 (0)711 / 358 110 20   Fax +49 (0)711 / 358 110 25	
X. ± 0.38 .XX ±0.25 .XXX ±0.13	X' ±5° .X' ±2° .XX' ±1° .XXX' ±0.5°	CHECK DATE		
UNIT:mm	SCALE 1:1	APPRO. DATE	FILE NAME (品名)	2.54MM Female Header SMT TYPE
A4	SHEET: 1 of 1		PART NO (料号)	HFNDSV6-XXXXXXTX
			DRAWING NO.(图号)	HFNDSV6-05
				REV.A0