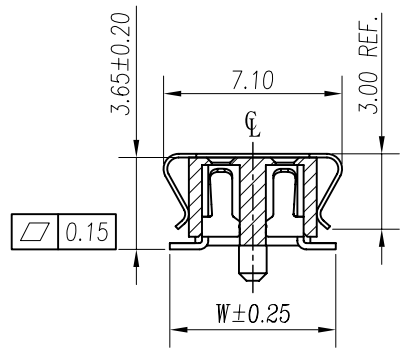


Specifications
 Current Rating: 1Amp
 Insulation Resistance: 1000MΩ Min.
 Dielectric Withstanding: 600V AC
 Contact Resistance: 20mΩ Max.
 Operating Temperature: -40°C to +105°C

Materials
 Contact Material: Phosphor Bronze
 Insulation Material: Polyester, UL 94V-0
 Nylon 6T+30%G.F. BLACK.
 All materials must meet Greenconn requirement for environment protection



HFNDSV1 - XX XX XXX T P X

No. of Pins Per Row	Standard Plating	Pin Length	Material	Post	Packing
02-50	01=Gold Flash 02=Gold 3U" 11=Pin XX=Select Plating	001=6.6 XXX=Select W	L=LCP T=NL6T	P=With Post W=Without Post	TR=Tape+Reel T=Tube

GENERAL TOLERANCE	ANGLE TOLERANCE	DESIGN	DATE
X. ± 0.38 .XX ± 0.25 .XXX ± 0.13	X° ± 5° .X° ± 2° .XX° ± 1° .XXX° ± 0.5°	Andy2005.08.12	
UNIT:mm	SCALE 1:1	CHECK	DATE
A4	SHEET: 1 of 1	APPRO.	DATE

 www.allconnectors.eu info@allconnectors.eu Tel. +49 (0)711 / 358 110 20 Fax +49 (0)711 / 358 110 25		
FILE NAME (品名)	2.54MM Female Header SMT TYPE	
PART NO (料号)	HFNDSV1-XXXXXXXTBX	
DRAWING NO.(图号)	HFNDSV1-05	REV.A0