

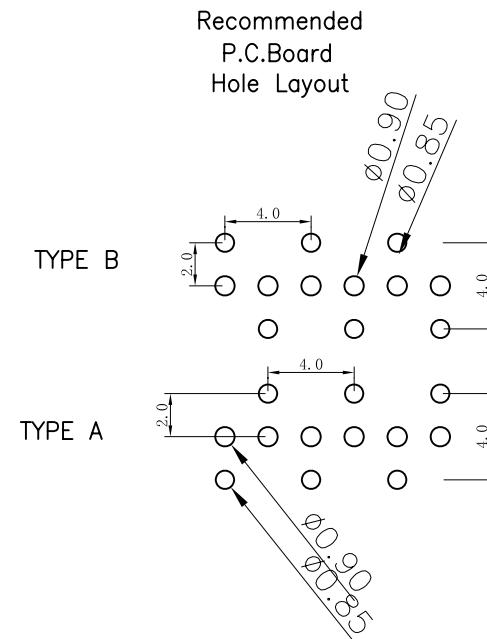
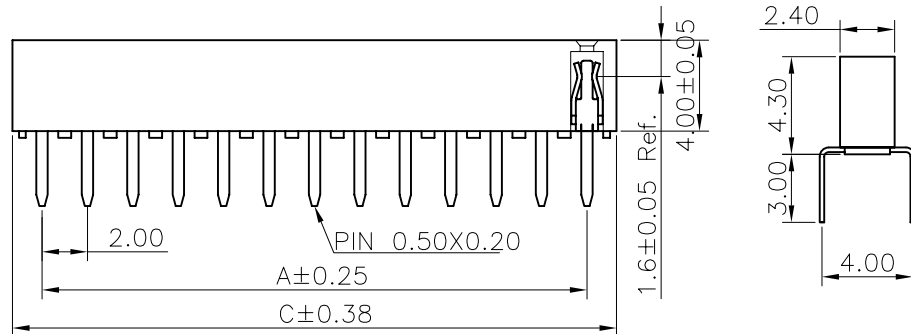
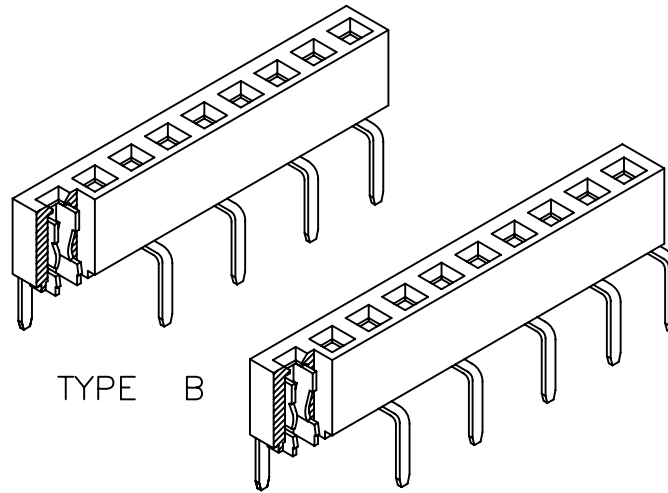
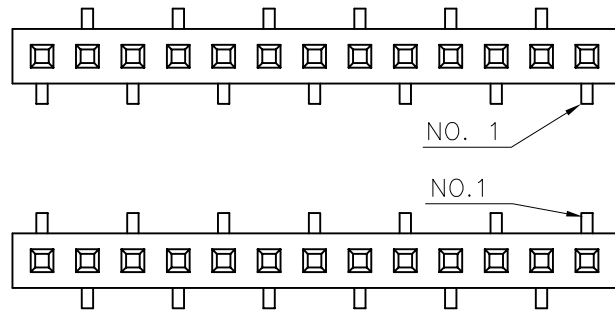
Specifications

Current Rating: 2.0 Ampere
 Insulation Resistance: 1000MΩ Min.
 Dielectric Withstanding: 500V AC
 Contact Resistance: 20mΩ Max.
 Operating Temperature: -40°C to +105°C

Materials

Contact Material: phosphor bronze
 Insulation Material: Polyester, UL 94V-0
 NYLON-6T

All materials must meet Greenconn requirement for environment protection



Ordering Information

HFLSS7PE -	XX	XX	XXX	T
No. of Pins Per Row	Standard Plating	Pin Length	Material	
02-40	01=Gold Flash 02=Gold 3U" 11=Tin XX=Select Plating	001 =2.4 XXX=Select A	L=LCP T=NL6T	

GENERAL TOLERANCE	ANGLE TOLERANCE	DESIGN	DATE	 www.allconnectors.eu info@allconnectors.eu Tel. +49 (0)711 / 358 110 20 Fax +49 (0)711 / 358 110 25	
X. ±0.38 .XX ±0.25 .XXX ±0.13	X° ±5° .X° ±2° .XX° ±1° .XXX° ±0.5°	Andy2005.08.12			
UNIT:mm	SCALE 1:1	CHECK	DATE	FILE NAME (品名)	2.0MM Female Header DIP TYPE
A4	SHEET: 1 of 1	APPRO.	DATE	PART NO (料号)	HFLSS7PE-XXXXXXXT
				DRAWING NO.(图号)	HFLSS7PE-01
					REV.A0