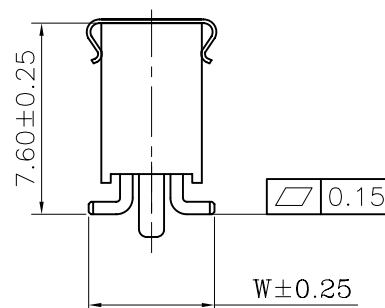
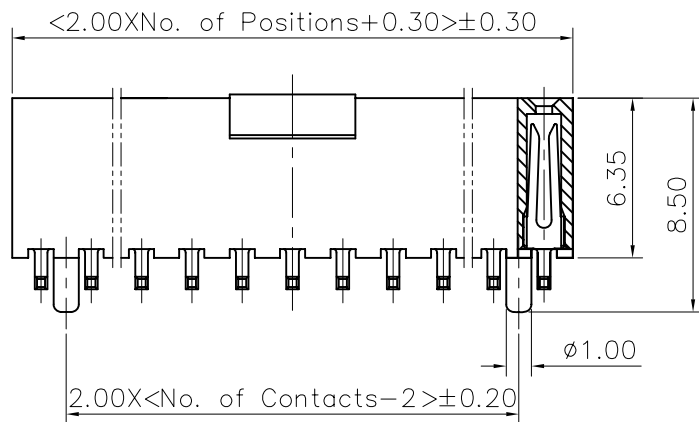
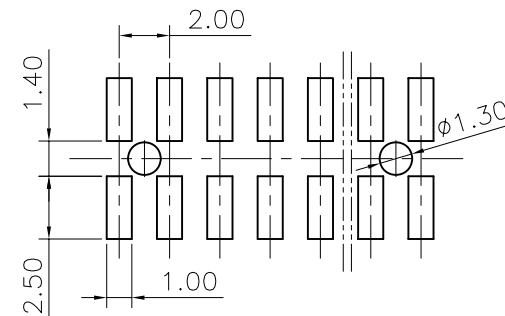


- Specifications
 Current Rating: 2Amp
 Insulation Resistance: 1000MΩ Min.
 Dielectric Withstanding: 500VAC
 Contact Resistance: 20mΩ Max.
 Operating Temperature: -55°C to +105°C
- Materials
 Contact Material: Phosphor Bronze.
 Insulator Material: LCP, UL94V-0, Color: Black.
- All materials must be GP materials



Recommended P.C.B. Layout (Tolerance: 0.05mm)



Ordering Information

HFLDSV5	-	XX	XX	XXX	L	P	X
		No. of Pins Per Row 02-50	Standard Plating 01=Gold Flash 02=Gold 3U" 11=Pin XX=Select Plating	Pin Length 001=5.0 XXX=Select W	Material L=LCP T=NL6T	Post P=With Post W=Without Post	Packing TR=Tape+Reel T=Tube

GENERAL TOLERANCE X. ±0.38 .XX ±0.25 .XXX ±0.13	ANGLE TOLERANCE X° ±5° .X° ±2° .XX° ±1° .XXX° ±0.5°	DESIGN DATE Andy2005.08.12	 www.allconnectors.eu info@allconnectors.eu Tel. +49 (0)711 / 358 110 20 Fax +49 (0)711 / 358 110 25	
		CHECK DATE		
UNIT:mm	SCALE 1:1	APPRO. DATE	FILE NAME (品名)	2.0MM Female Header SMT TYPE
A4	SHEET: 1 of 1		PART NO (料号)	HFLDSV5-XXXXXXXXLBX
			DRAWING NO.(图号)	HFLDSV5-05
				REV.A0