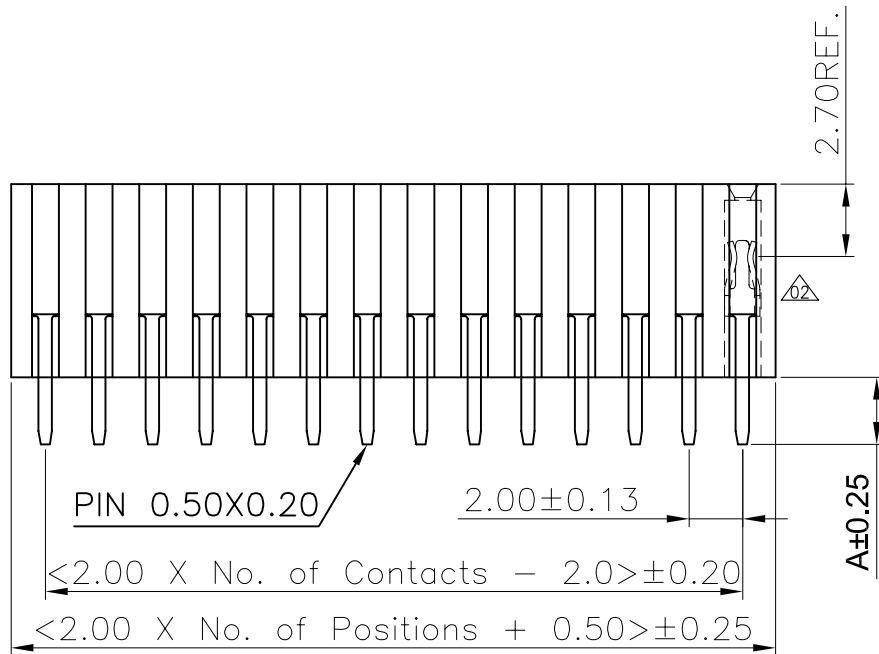


4.65



2.70 REF.

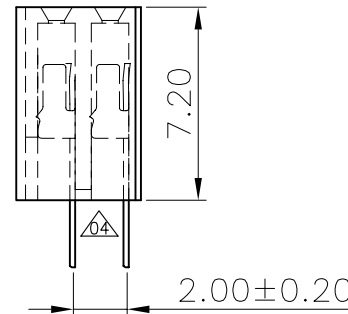
A ± 0.25

PIN 0.50X0.20

2.00 ± 0.13

$\langle 2.00 \times \text{No. of Contacts} - 2.0 \rangle \pm 0.20$

$\langle 2.00 \times \text{No. of Positions} + 0.50 \rangle \pm 0.25$



7.20

2.00 ± 0.20

Specifications

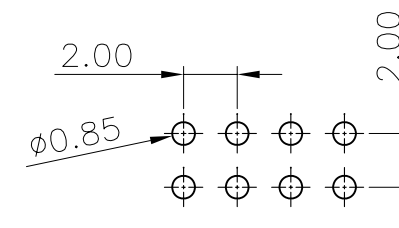
Current Rating:2Amp
 Insulation Resistance:1000MΩMin.
 Dielectric Withstanding Voltage:500VAC
 Contact Resistance:20mΩMax.
 Operating Temperature:-40°C to +105°C
 Materials
 Contact Material:Phosphor Bronze
 Insulator Material:Polyester,UL 94V-0
 Nylon 6T

All materials must meet Greenconn requirement for environment protection.

Recommended P.C.Board

Hole Layout

(Tolerance:±0.05)



Ordering Information

HFLDS9	-	XX	XX	XXX	T
No. of Pins	Standard Plating	Pin Length	Material		
Per Row	01=Gold Flash	001 =2.4	L=LCP		
02-40	02=Gold 3U"	XXX=Select A	T=NL6T		
	11=Tin				
	XX=Select Plating				

GENERAL TOLERANCE	ANGLE TOLERANCE	DESIGN DATE	 www.allconnectors.eu info@allconnectors.eu Tel. +49 (0)711 / 358 110 20 Fax +49 (0)711 / 358 110 25	
X. ± 0.38 .XX ± 0.25 .XXX ± 0.13	X' ± 5° .X' ± 2° .XX' ± 1° .XXX' ± 0.5°	Andy2005.08.12		
UNIT:mm	SCALE 1:1	CHECK DATE	FILE NAME (品名)	2.0MM Female Header DIP TYPE
A4	SHEET: 1 of 1	APPRO. DATE	PART NO (料号)	HFLDS9-XXXXXXXT
			DRAWING NO.(图号)	HFLDS9-01
				REV.A0