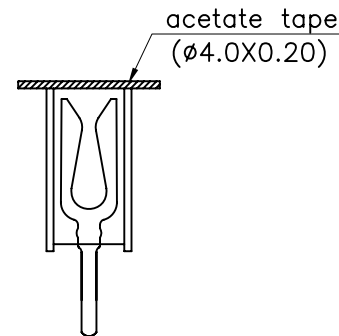
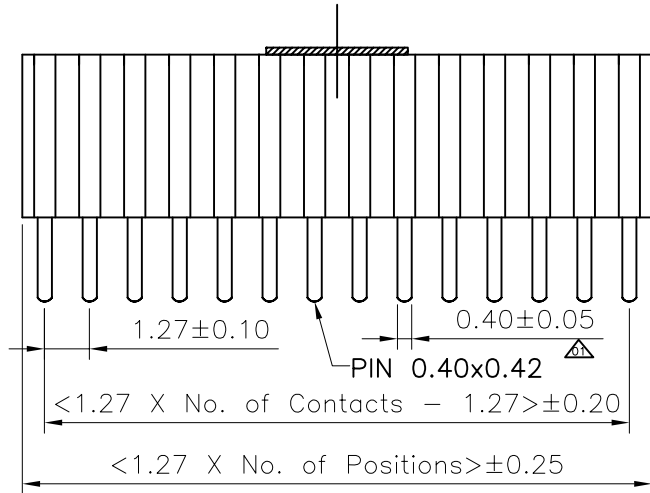


Specifications

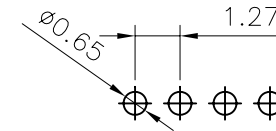
Current Rating: 1Amp
 Insulation Resistance: 1000MΩ Min.
 Dielectric Withstanding: 300V AC
 Contact Resistance: 20mΩ Max.
 Operating Temperature: -40°C to +105°C

Materials

Contact Material: Phosphor Bronze
 Insulation Material: Polyester, UL 94V-0
 LCP
 All materials must meet Greenconn requirement for environment protection




Recommended P.C.B. Layout (Tolerance: ±0.05)



Ordering Information

HFJSS4Y - XX XX XXX L

No. of Pins Per Row 03-50	Standard Plating 01=Gold Flash 02=Gold 3U" 11=Tin XX=Select Plating	Pin Length 001 =2.4 XXX=Select A	Material L=LCP T=6T
---------------------------------	---	--	---------------------------

GENERAL TOLERANCE	ANGLE TOLERANCE	DESIGN DATE	 www.allconnectors.eu info@allconnectors.eu Tel. +49 (0)711 / 358 110 20 Fax +49 (0)711 / 358 110 25	
X. ± 0.38 .XX ± 0.25 .XXX ± 0.13	X°. ±5° .X° ±2° .XX° ±1° .XXX° ±0.5°	Andy2005.08.12		
UNIT:mm	SCALE 1:1	CHECK DATE	FILE NAME (品名)	1.27 Female Header DIP TYPE
A4	SHEET: 1 of 1	APPRO. DATE	PART NO (料号)	HFJSS4Y-XXXXXXL
			DRAWING NO.(图号)	HFJSS4Y-01 REV.A0