

Materials

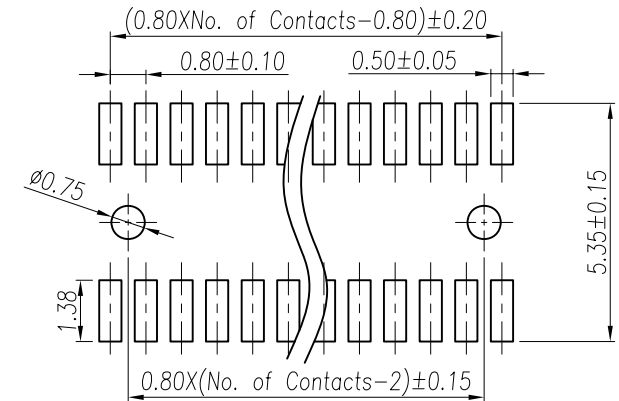
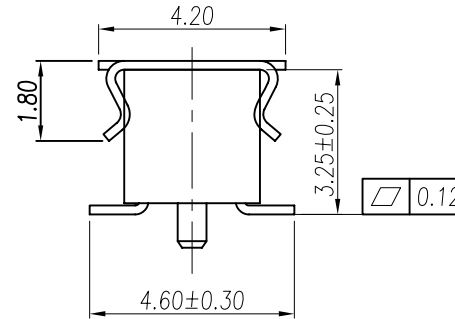
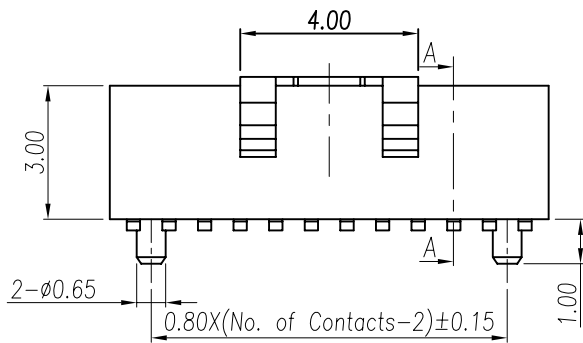
Contact Material: Phosphor Bronze
 Housing Material: Polyester, UL 94V-0
 LCP COLOR: BLACK

Specifications

Current Rating: 0.5Amp
 Insulation Resistance: 1000MΩ Min.
 Dielectric Withstanding: 300V AC
 Contact Resistance: 20mΩ Max.
 Operating Temperature: -40°C to +105°C

All materials must be GP materials

Recommended P.C.Board Layout



Ordering Information

HFFDSV1 - XX XX XXX L B X X

No. of Pins Per Row 03-50	Standard Plating 01=Gold Flash 02=Gold 3U" 11=Tin XX=Select Plating	Pin Length 001=W/4.6	Material L=LCP T=NL6T	Material B=Brass P=Phosphoric Bronze	POST P=With Post W=Without Post	Packing T=Tube TP=Tape+Reel
------------------------------	---	-------------------------	-----------------------------	--	---------------------------------------	-----------------------------------

GENERAL TOLERANCE X. ± 0.38 .XX ± 0.25 .XXX ± 0.13	ANGLE TOLERANCE X°. ± 5° .X° ± 2° .XX° ± 1° .XXX° ± 0.5°	DESIGN DATE Andy2005. 08. 12	 www.allconnectors.eu info@allconnectors.eu Tel. +49 (0)711 / 358 110 20 Fax +49 (0)711 / 358 110 25	
		CHECK DATE		
UNIT:mm	SCALE 1:1	APPRO. DATE	PART NO (料号)	HFFDSV1-XXXXXXLB
A4	SHEET: 1 of 1		DRAWING NO.(图号)	HFFDSV1-01
				REV.A0