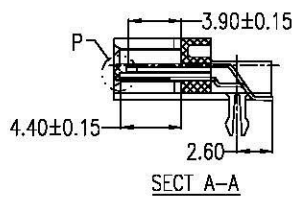


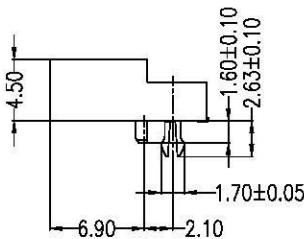
Signal Segment		Power Segment	
Pin NO.	Type	Pin NO.	Type
S1	GND	P1	V33
S2	A+	P2	V33
S3	A-	P3	V33
S4	GND	P4	GND
S5	B+	P5	GND
S6	B-	P6	GND
S7	GND	P7	V5
S8	GND	P8	V5
S9	A+	P9	V5
S10	A-	P10	GND
S11	GND	P11	DAS/DSS
S12	B-	P12	GND
S13	B+	P13	V12
S14	GND	P14	V12
		P15	V12

NOTES:

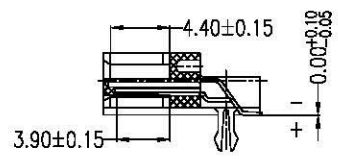
- Material:**
 Housing: LCP+50%G.F, UL 94V-0 Rated.
 Color: Black.
 Contact: Phosphor Bronze.
 Plating: Gold Plating over Nickel on Contact Area.
 Tin Plating on Solder Tail.
 Harpoon: Brass.
 Plating: Tin Plating over Nickel.



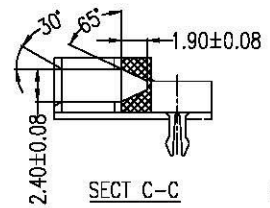
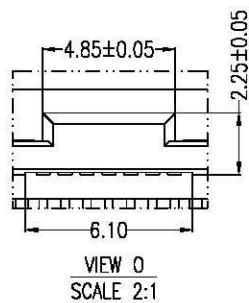
- Mechanical:**
 Insertion Force: 25N Max.
 Withdrawal Force: 5N Min.
 Durability: 500 Cycles



- Electrical Specification:**
 Current Rating: 1.5 Ampere per Contact.
 Contact Resistance: 30mΩ Max.
 Insulation Resistance: 1000MΩ Min.
 Dielectric Withstanding Voltage: 500 VAC.

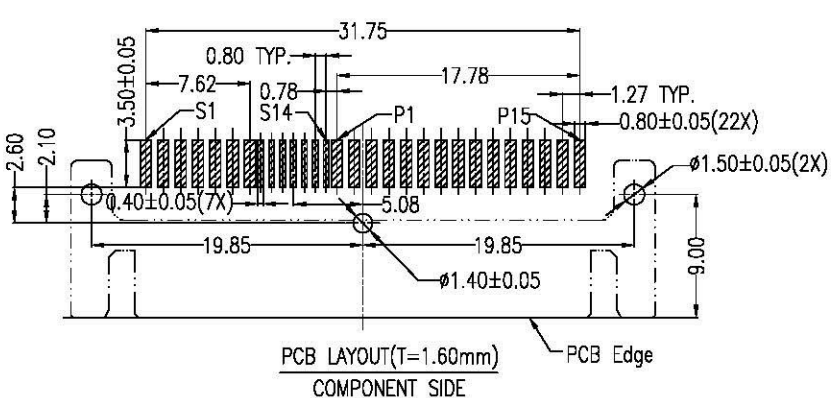
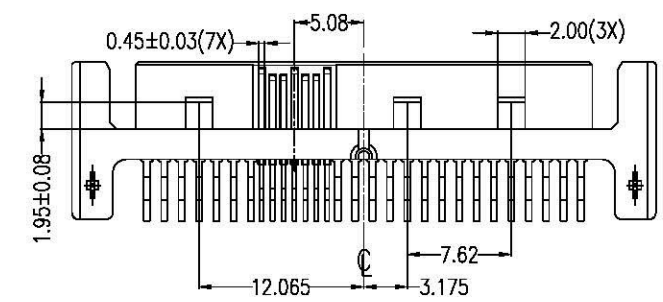
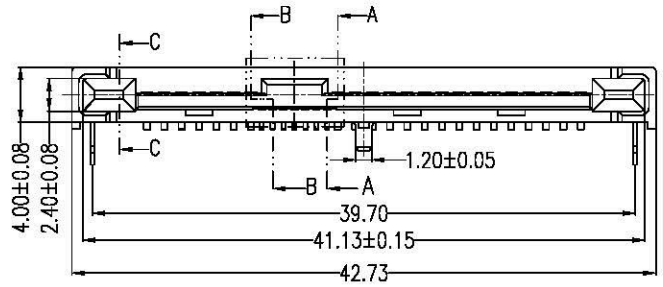
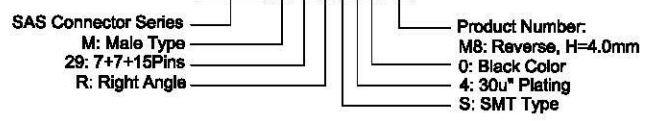


- Environmental:**
 Operating Temperature: 0°C to +55°C



Part Number:

CSAS-M29RS40-M8



A		09/09/10		RELEASED FOR PRODUCTION	
REV	DATE	DESCRIPTION			
UNLESS OTHERWISE SPECIFIED, DIMENSIONS ARE IN MM. TOLERANCES ARE:		CAD GENERATED DRAWING, DO NOT MANUALLY UPDATE			
DECIMALS ANGLES		APPROVALS		DATE	
X ± .38	± 3°	DRAWN	Chris	09/09/10	
.XX ± .25		CHECKED	Chdy	09/09/10	
.XXX ± .20		APPV	Jason	09/09/10	
DO NOT SCALE DRAWING		SHEET 1 OF 1		SCALE NONE	
		DWG. NO.		CSAS-M29-M08	
		REV.		A	

All Connectors

www.allconnectors.de
 Tel: +49 714 7005003
 70704 Pfladerst. - Germany

info@allconnectors.de
 Fax: +49 714 7005004
 Kettnerstr. 25

DESCRIPTION: **SAS Connector, 7+7+15P Male, Right Angle Reverse Type, SMD, H=4.0mm Height**