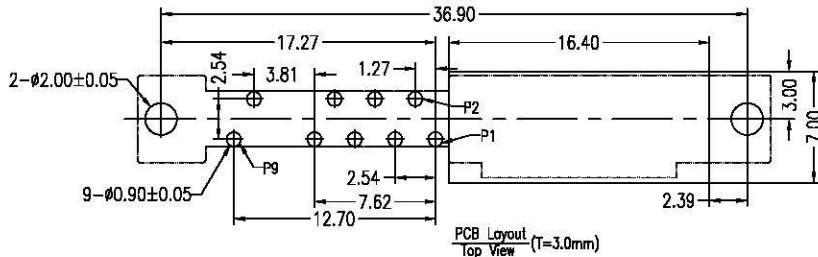
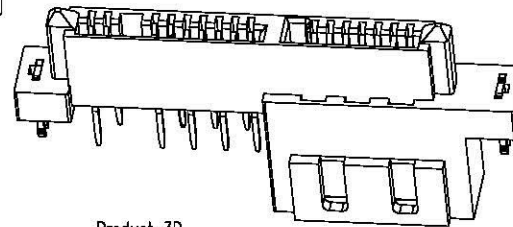
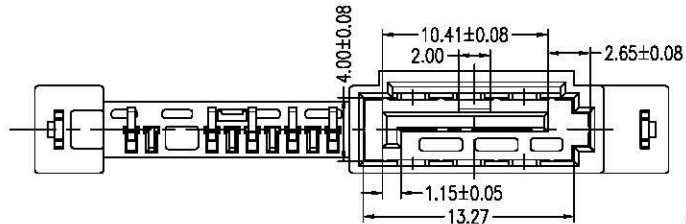
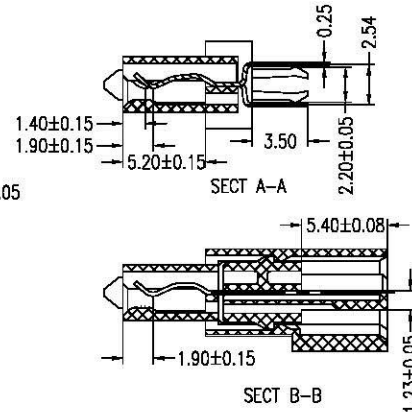
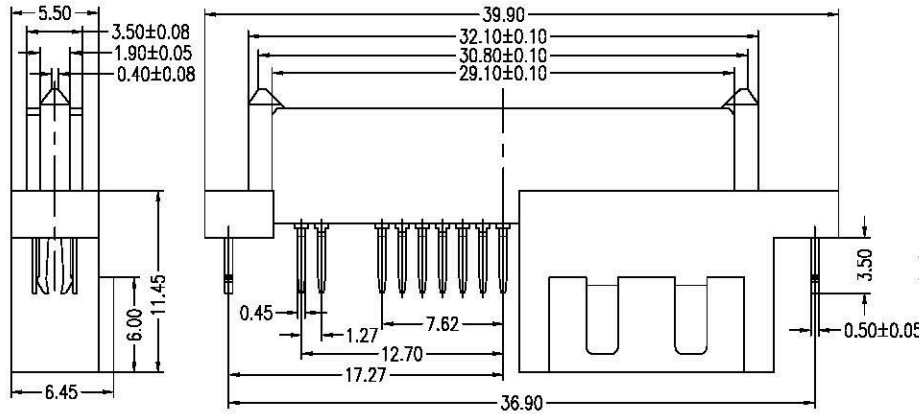


| Pin Number | Signal Name | Description |
|------------|-------------|---------------------|
| S1 | GND | |
| S2 | A+ | Differential Signal |
| S3 | A- | |
| S4 | GND | |
| S5 | B- | Differential Signal |
| S6 | B+ | |
| S7 | GND | |

| Pin Number | Power Designation | Pin Number | Power Designation |
|------------|-------------------|------------|-------------------|
| P1 | +3.3V | P6 | +5V |
| P2 | +3.3V | P7 | Reserved |
| P3 | GND | P8 | Optional |
| P4 | GND | P9 | Optional |
| P5 | +5V | | |



NOTES:

1. Material:

Housing: LCP+50%G.F, UL 94V-0 Rated.
 Color: Black.
 Contact: Phosphor Bronze.
 Plating: Gold Plating over Nickel on Contact Area.
 Tin Plating on Solder Tail.
 Harpoon: Brass.
 Plating: Tin Plating over Nickel.

2. Mechanical:

Insertion Force: 45N Max.
 Withdrawal Force: 10N Min.
 Durability: 500 Cycles

3. Electrical Specification:

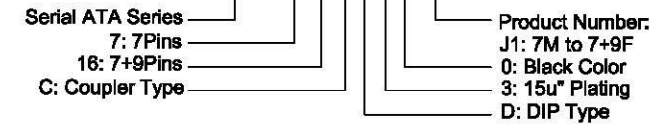
Operation Voltage: 100VAC Max.
 Current Rating: 1.5 Ampere per Contact.
 Contact Resistance: 30mΩ Max.
 Insulation Resistance: 1000MΩ Min.
 Dielectric Withstanding Voltage: 500 VAC.

4. Environmental:

Operating Temperature: -55°C to +85°C

Part Number:

CSAT-716CD30-J1



| A | | 02/23/09 | | RELEASED FOR PRODUCTION | |
|---|------|---|-------|-------------------------|--------------|
| REV | DATE | DESCRIPTION | | | |
| UNLESS OTHERWISE SPECIFIED, DIMENSIONS ARE IN MM. TOLERANCES ARE: | | CAD GENERATED DRAWING, DO NOT MANUALLY UPDATE www.allconnectors.de info@allconnectors.de Tel: 0049 7141 2049518 Fax: 0049 7141 2049524 70734 Hildersdorf - Germany Kette Markt, 25 | | | |
| DECIMALS ANGLES | | | | | |
| X ± .38 | ± 3° | | | | |
| .XX ± .25 | | | | | |
| .XXX ± .20 | | APPROVALS | | DATE | |
| DO NOT SCALE DRAWING | | DRAWN | Chris | 02/23/09 | |
| | | CHECKED | Chdy | 02/23/09 | |
| | | APPV | Jason | 02/23/09 | |
| SHEET 1 OF 1 | | SCALE NONE | | DWG. NO. | CSAT-716-J01 |
| | | | | REV. | A |