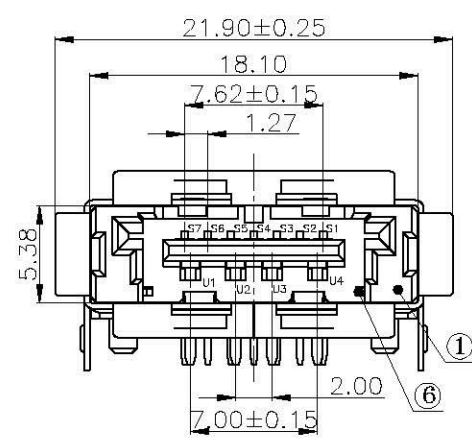


6	Latch	SUS			5S080602-01
5	USB Terminal	Brass C2680R-H		Gold/Tin Plated	3U080604-01
4	eSATA Terminal	Brass C2680R-H		Gold/Tin Plated	3S080604-01
3	Shell	Brass C2680R-H		Ni Plated	4S080604-01
2	Cover	LCP	Black	UL 94V-0	2S080607-01
1	Housing	LCP	Black	UL 94V-0	2S080604-01
NO.	DESCRIPTION	MATERIAL	COLOR	REMARK	DWG NO.

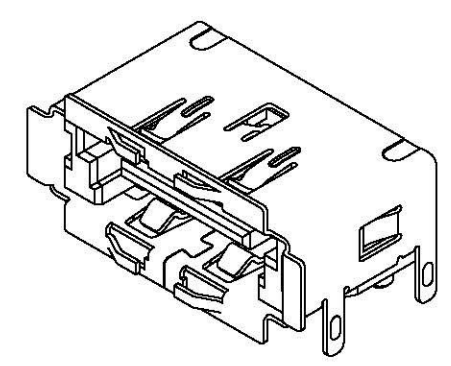
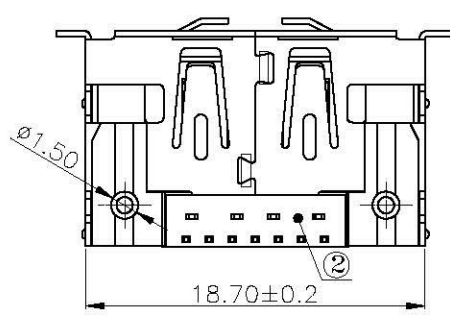
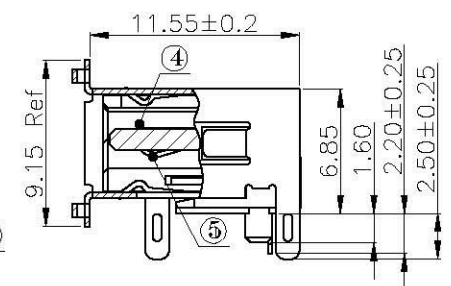
REFERENCE PC BOARD LAYOUT
TOP VIEW (TOL=±0.05)



PIN DEFINITION

USB		eSATA	
NAME	TYPE	NAME	TYPE
U1	VBUS	S1	GND
U2	D-	S2	A+
U3	D+	S3	A-
U4	GND	S4	GND
		S5	B-
		S6	B+
		S7	GND

ESATAP-PRMMP-074A-LF
LEADFREE
RoHS Compliant



All Connectors
www.allconnectors.de
Tel.: 0049 711 7007540
70751 Nürtingen - Germany

PART NO. ESATAP-PRMMP-074A

DWG NO. ESATAP-PRMMP-074A

FILE NO.

UNIT / mm

CHECKED BY CY

DRAWING BY

SCALE 1:1

PROJECTION

TOLERANCES ARE

X ±
.XX ±
.XXX ±
AWG

DESCRIPTION:

AREA	REVISIONS	HK	DATE
------	-----------	----	------