

Signal Name	
Pin Number	eSATA
S1	GND
S2	RX+
S3	RX-
S4	GND
S5	TX-
S6	TX+
S7	GND

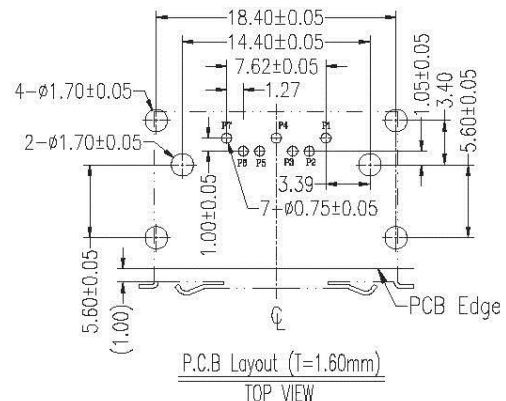
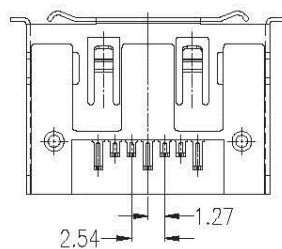
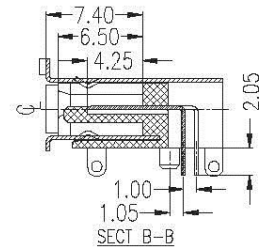
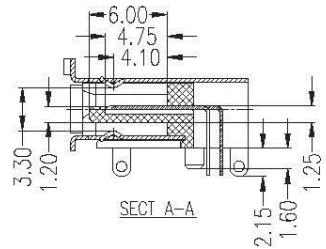
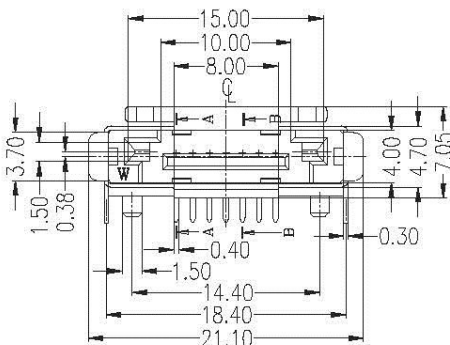
**NOTES:**

**\*Material**  
 Housing: Nylon 46(red),UL 94-0 Rated;  
 Contact: Brass;  
 Plating: Gold plating over Nickel on contact area; Tin Plating on Solder Tail.

**\*Mechanical**  
 Insertion Force: 4080g max;  
 Withdrawal Force: 1020g min;  
 Durability: 2500 cycles.

**\*Electrical Specification**  
 Operation Voltage:100 VAC max.  
 Current Rating: 1.5 Ampere per contact  
 Contact Resistance: 30m OHM MIN.  
 Insulation Resistance: 1000M OHM MIN  
 Dielectric Withstanding Voltage:500VAC.

**\*Environmental**  
 Operating Temperature : -55°C to +125°C.



**ESATA-PR-07-LF**  
**LEADFREE**  
**RoHS Compliant**

**All Connectors**  
 www.allconnectors.de  
 Tel.: 0049 711 7029500  
 70794 Filderstadt - Germany  
 info@allconnectors.de  
 Fax: 0049 711 7002504  
 Kettnerstr. 25

PART NO. ESATA-PR-07		CHECKED BY CY		TOLERANCES ARE .X±0.2 .XX± .XXX± AWG	DESCRIPTION: Serial ATA II 7P 90° DIP Type Male Single Spring	AREA	REVISIONS	HK	DATE
DWG NO. ESATA-PR-07		DRAWING BY							
FILE NO.		PROJECTION							
UNIT / mm	SCALE 1:1								