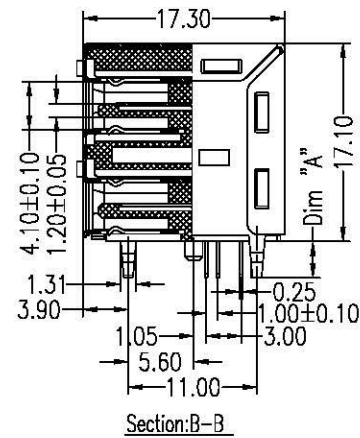
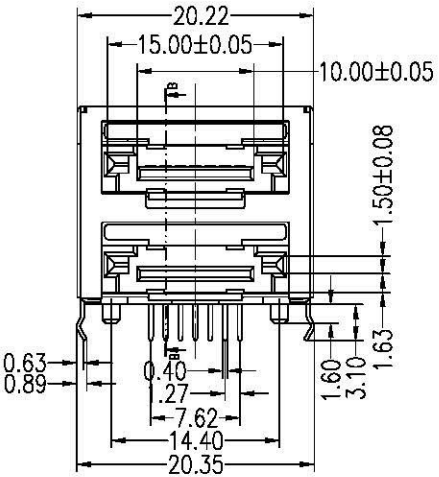


Signal Name	
Pin Number	eSATA
S1	GND
S2	A+
S3	A-
S4	GND
S5	B-
S6	B+
S7	GND

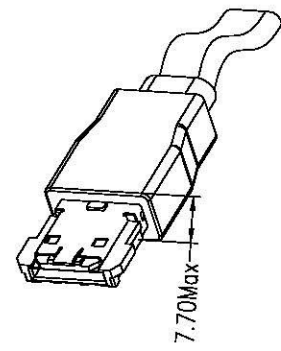
**NOTES:**

- Material:**  
 Housing: Nylon 46+30% G.F., UL 94-0 Rated.  
 Color: Yellow.  
 Contact: Brass.  
 Plating: Gold Plating over Nickel on Contact Area.  
 Tin Plating on Solder Tail.  
 Shell(Outside): Brass, Nickel Plating.  
 Shell(Inside): SUS304.
- Mechanical:**  
 Insertion Force: 4080g Max.  
 Withdrawal Force: 1020g Min.  
 Durability: 2500 Cycles
- Electrical Specification:**  
 Operation Voltage: 100VAC Max.  
 Current Rating: 1.5 Ampere per Contact.  
 Contact Resistance: 30mΩ Max.  
 Insulation Resistance: 1000MΩ Min.  
 Dielectric Withstanding Voltage: 500 VAC.
- Environmental:**  
 Operating Temperature: -55°C to +85°C



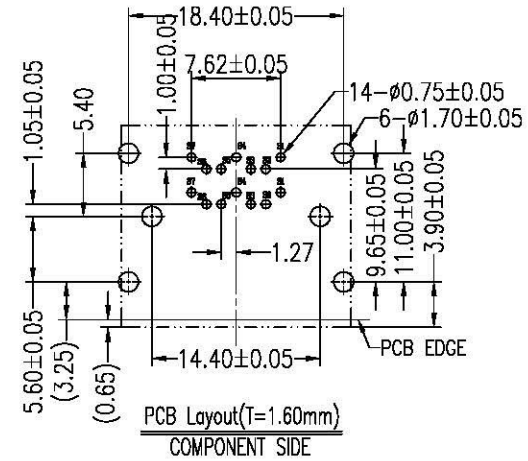
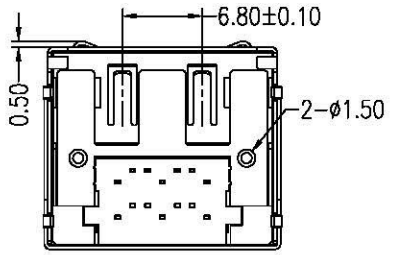
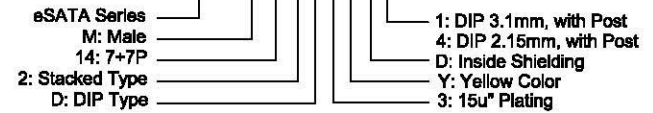
Unit:mm

Standard	Dim "A"
CEAT-M142D3Y-D1	3.10
CEAT-M142D3Y-D4	2.15



**Part Number:**

**CEAT-M142D3Y-D4**



A	09/01/10	RELEASED FOR PRODUCTION		DESCRIPTION	
REV	DATE				
UNLESS OTHERWISE SPECIFIED, DIMENSIONS ARE IN MM. TOLERANCES ARE:		CAD GENERATED DRAWING, DO NOT MANUALLY UPDATE			
DECIMALS ANGLES		APPROVALS DATE			
X ± .38	± 3°	DRAWN Chris	09/01/10	www.allconnectors.de info@allconnectors.de	
.XX ± .25		CHECKED Chdy	09/01/10	TEL: 0049 711 7093908	
.XXX ± .20		APPV Jason	09/01/10	70724 Hilderstadt - Germany	
DO NOT SCALE DRAWING		SHEET 1 OF 1		DESCRIPTION eSATA Plug, 7+7P, Male, Stacked, DIP with Inside Shielding, Yellow Color	
		SCALE NONE		DWG. NO. CEAT-M14-YDX	
				REV. A	