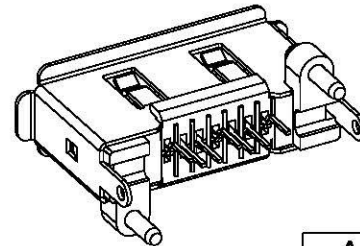
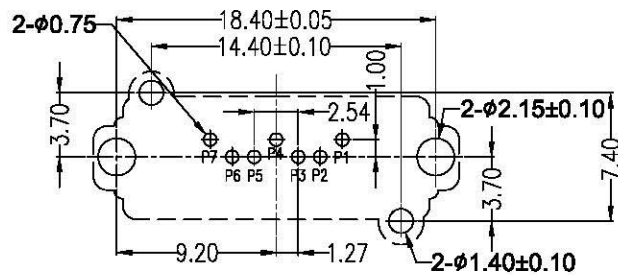
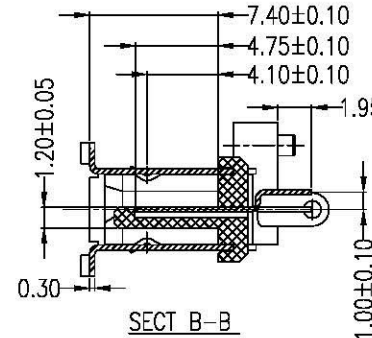
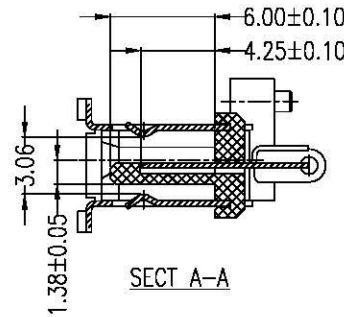
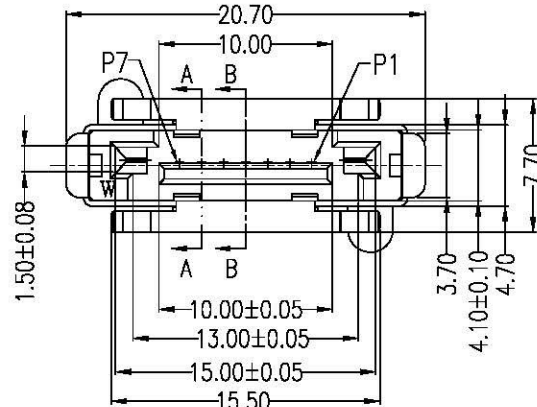


Pin Number	eSATA
P1	GND
P2	A+
P3	A-
P4	GND
P5	B-
P6	B+
P7	GND

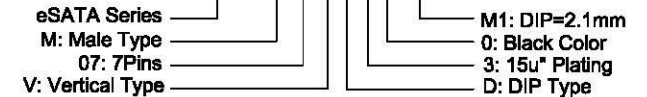
NOTES:

- Material:**
 Housing: LCP+50%G.F, UL 94V-0 Rated.
 Color: Black.
 Contact: Phosphor Bronze.
 Plating: Gold Plating over Nickel on Contact Area.
 Tin Plating on Solder Tail.
 Shell: Brass.
 Plating: Ni(40u" Min) Plating.
- Mechanical:**
 Insertion Force: 4080g Max.
 Withdrawal Force: 1020g Min.
 Durability: 2500 Cycles
- Electrical Specification:**
 Operation Voltage: 100VAC Max.
 Current Rating: 1.5 Ampere per Contact.
 Contact Resistance: 30mΩ Max.
 Insulation Resistance: 1000MΩ Min.
 Dielectric Withstanding Voltage: 500 VAC.
- Environmental:**
 Operating Temperature: -55°C to +85°C



Part Number:

CEAT-M07VD30-M1



A	05/11/09	RELEASED FOR PRODUCTION	
REV	DATE	DESCRIPTION	
UNLESS OTHERWISE SPECIFIED, DIMENSIONS ARE IN MM. TOLERANCES ARE:		<p>www.allconnectors.de T: +49 711 7007503 70794 Fildefeld - Germany</p> <p>info@allconnectors.de Fax: +49 711 7007504 Kellernstr. 25</p>	
DECIMALS	ANGLES		
X ± .38	± 3°		
.XX ± .25			
.XXX ± .20		APPROVALS DATE DRAWN Chris 05/11/09 CHECKED Cindy 05/11/09 APPV Jason 05/11/09	
DO NOT SCALE DRAWING		SHEET 1 OF 1 SCALE NONE DWG. NO. CEAT-M07-M01 REV. A	