

Pin Number	Signal Name
S1	GND
S2	A+
S3	A-
S4	GND
S5	B-
S6	B+
S7	GND

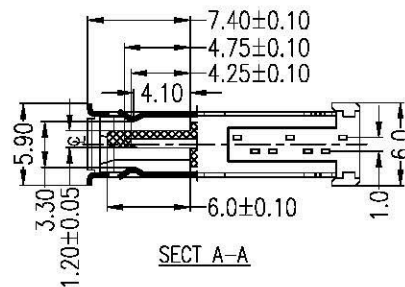
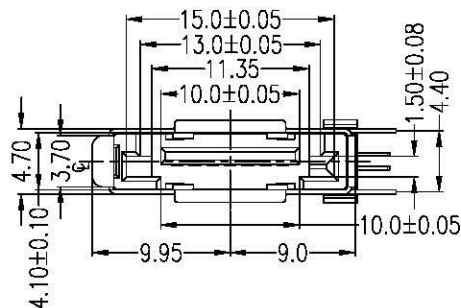
**NOTES:**

- Material:**  
 Housing: Nylon46, UL 94V-0 Rated.  
 Color: Red.  
 Contact: Brass.  
 Plating: Gold Plating over Nickel on Contact Area.  
 Tin Plating on Solder Tail.  
 Shielding: Brass.  
 Plating: Nickel Plating.

- Mechanical:**  
 Insertion Force: 4080g Max.  
 Withdrawal Force: 1020g Min.  
 Durability: 2500 Cycles

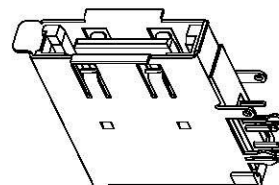
- Electrical Specification:**  
 Current Rating: 1.5 Ampere per Contact.  
 Contact Resistance: 30mΩ Max.  
 Insulation Resistance: 1000MΩ Min.  
 Dielectric Withstanding Voltage: 500 VAC.

- Environmental:**  
 Operating Temperature: -55°C to +125°C



Unit:mm

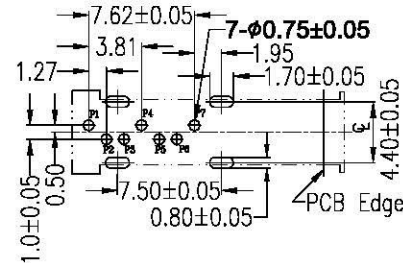
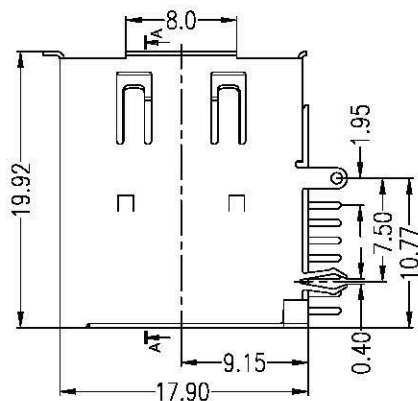
Standard	Dim A
CEAT-M07UD3R-R4	2.35
CEAT-M07UD3R-R1	3.10



Product 3D dwg

Part Number:

**CEAT-M07UD3R-R4**



P.C.B Layout t=1.60mm  
Top View

A	08/11/08	RELEASED FOR PRODUCTION		DESCRIPTION		
REV	DATE					
UNLESS OTHERWISE SPECIFIED DIMENSIONS ARE IN MM TOLERANCES ARE:		CAD GENERATED DRAWING, DO NOT MANUALLY UPDATE		 www.allconnectors.de      info@allconnectors.de Tel.: 0049 (0) 7092501      Fax: 0049 (0) 7092504 20794 Filderstadt Germany      Kettelerstr. 25		
DECIMALS    ANGLES		APPROVALS	DATE			DESCRIPTION <b>eSATA Connector, 7P, Male, Upright Type</b> <b>DIP Type, Red Color, No Logo</b>
X ± .38	± 3°	DRAWN    Chris	08/11/08			
.XX ± .25		CHECKED    Cindy	08/11/08			
.XXX ± .20		APPV    Jason	08/11/08			
DO NOT SCALE DRAWING		SHEET    1 OF 1	SCALE    NONE	DWG. NO. <b>CEAT-M07-R04</b>	REV.    A	