

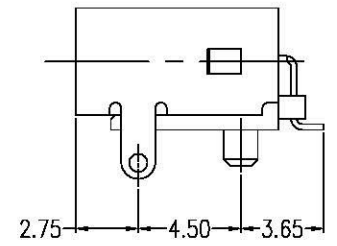
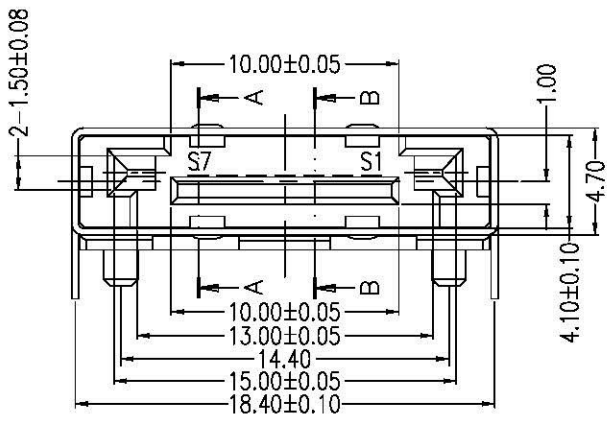
NOTES:

- Material:**
 Housing: Nylon6T+30%G.F, UL 94V-0 Rated.
 Color: Red.
 Contact: Brass.
 Plating: Gold Plating over Nickel on Contact Area.
 Tin Plating on Solder Tail.
 Shell: Brass.
 Plating: Ni(40u" Min) Plating.

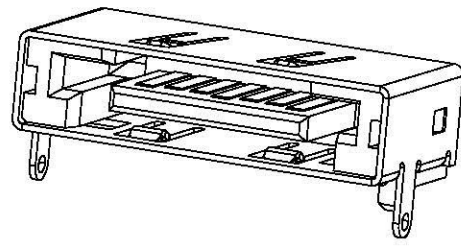
- Mechanical:**
 Insertion Force: 4080g Max.
 Withdrawal Force: 1020g Min.
 Durability: 2500 Cycles

- Electrical Specification:**
 Operation Voltage: 100VAC Max.
 Current Rating: 1.5 Ampere per Contact.
 Contact Resistance: 30mΩ Max.
 Insulation Resistance: 1000MΩ Min.
 Dielectric Withstanding Voltage: 500 VAC.

- Environmental:**
 Operating Temperature: -55°C to +85°C

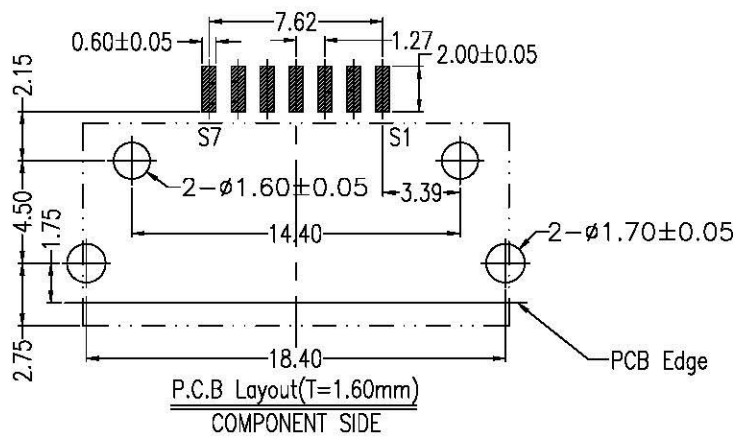
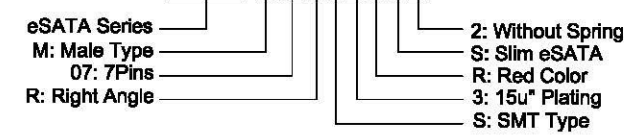


Pin Number	Signal Name
S1	GND
S2	A+
S3	A-
S4	GND
S5	B-
S6	B+
S7	GND



Part Number:

CEAT-M07RS3R-S2



A		06/18/10		RELEASED FOR PRODUCTION	
REV		DATE		DESCRIPTION	
UNLESS OTHERWISE SPECIFIED, DIMENSIONS ARE IN MM. TOLERANCES ARE:					
DECIMALS		ANGLES			
X ± .38		± 3°			
.XX ± .25					
.XXX ± .20				www.allconnectors.de Tel.: 0049 711 7009503 70734 Hilderstadt, Germany info@allconnectors.de Fax: 0049 711 7009504 Kettnerstr. 25	
DO NOT SCALE DRAWING		SHEET 1 OF 1		APPROVALS DRAWN Chris 06/18/10 CHECKED Cindy 06/18/10 APPV Jason 06/18/10 SCALE NONE DWG. NO. CEAT-M07-SS7 REV. A	