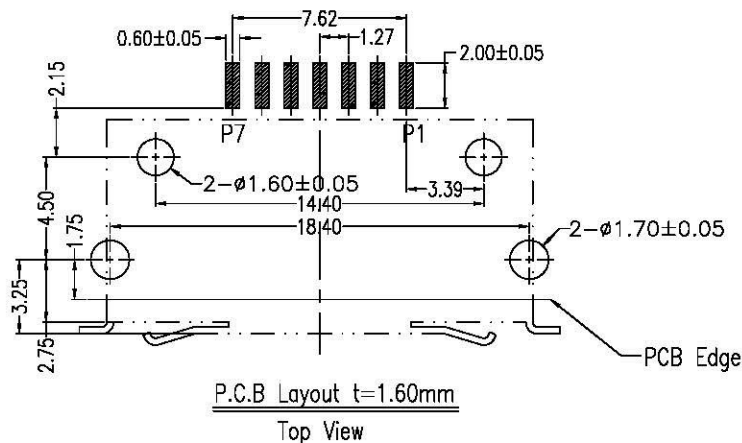
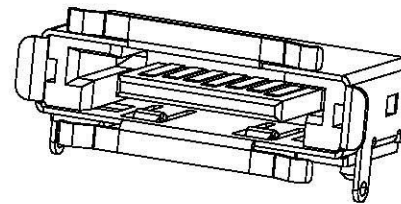


Pin Number	Signal Name
S1	GND
S2	A+
S3	A-
S4	GND
S5	B-
S6	B+
S7	GND

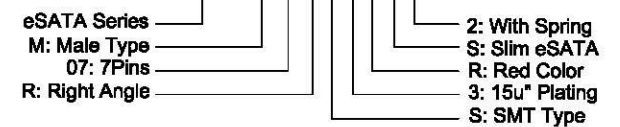


NOTES:

- Material:**
 Housing: Nylon6T+30%G.F, UL 94V-0 Rated.
 Color: Red.
 Contact: Brass.
 Plating: Gold Plating over Nickel on Contact Area.
 Tin Plating on Solder Tail.
 Shell: Brass.
 Plating: Ni(40u" Min) Plating.
- Mechanical:**
 Insertion Force: 4080g Max.
 Withdrawal Force: 1020g Min.
 Durability: 2500 Cycles
- Electrical Specification:**
 Operation Voltage: 100VAC Max.
 Current Rating: 1.5 Ampere per Contact.
 Contact Resistance: 30mΩ Max.
 Insulation Resistance: 1000MΩ Min.
 Dielectric Withstanding Voltage: 500 VAC.
- Environmental:**
 Operating Temperature: -55°C to +85°C

Part Number:

CEAT-M07RS3R-S1



A	06/11/09	RELEASED FOR PRODUCTION		
REV	DATE	DESCRIPTION		
UNLESS OTHERWISE SPECIFIED, DIMENSIONS ARE IN MM. TOLERANCES ARE:		 www.allconnectors.de TEL: 0049 711 7009503 20724 Eilsestadt - Germany info@allconnectors.de Fax: 0049 711 7009504 Kettnerstr. 25		
DECIMALS	ANGLES			
X ± .38	± 3°			
.XX ± .25				
.XXX ± .20		APPROVALS	DATE	
		DRAWN	Chris	06/11/09
		CHECKED	Chdy	08/11/09
		APPV	Jason	06/11/09
DO NOT SCALE DRAWING	SHEET 1 OF 1	SCALE	NONE	DWG. NO. CEAT-M07-SS3