

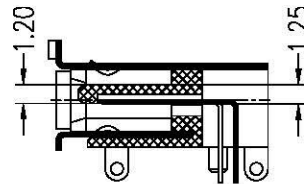
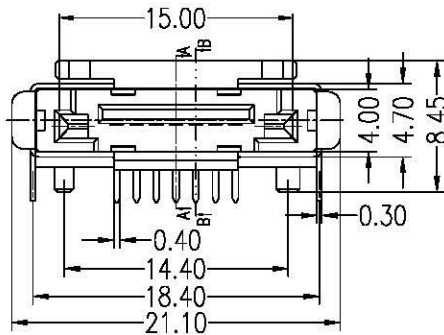
NOTES:

- Material:**
 Housing: LCP+50%G.F, UL 94V-0 Rated.
 Color: Black.
 Contact: Brass.
 Plating: Gold Plating over Nickel on Contact Area.
 Tin Plating on Solder Tail.
 Shell: Brass.
 Plating: Ni(40u" Min) Plating.

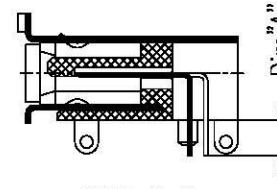
- Mechanical:**
 Insertion Force: 40N Max.
 Withdrawal Force: 10N Min.
 Durability: 2500 Cycles

- Electrical Specification:**
 Operation Voltage: 100VAC Max.
 Current Rating: 1.5 Ampere per Contact.
 Contact Resistance: 30mΩ Max.
 Insulation Resistance: 1000MΩ Min.
 Dielectric Withstanding Voltage: 500 VAC.

- Environmental:**
 Operating Temperature: -55°C to +125°C



SECT A-A

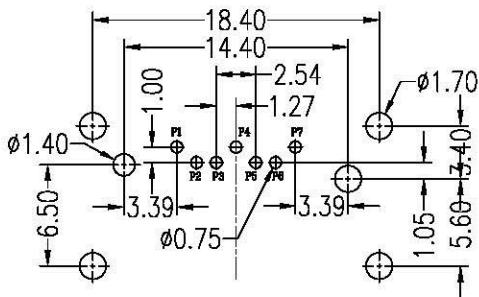
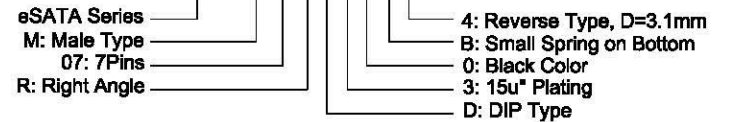


SECT B-B

Part NO.	Dim "A"
CEAT-M07RD30-B4	3.10mm
CEAT-M07RD30-B5	2.30mm

Part Number:

CEAT-M07RD30-B4



P.C.B Layout t=1.60mm

PIN Signal Define	
PIN NO.	Signal Name
S1	GND
S2	A+
S3	A-
S4	GND
S5	B-
S6	B+
S7	GND

A	07/13/06	RELEASED FOR PRODUCTION	
REV	DATE	DESCRIPTION	
UNLESS OTHERWISE SPECIFIED, DIMENSIONS ARE IN MM. TOLERANCES ARE:			
CAD GENERATED DRAWING, DO NOT MANUALLY UPDATE		www.allconnectors.de TEL: 0049 711 7009503 70794 Rilderstadt - Germany info@allconnectors.de Fax: 0049 711 7007504 Kettnerstr. 25	
DECIMALS ANGLES		DESCRIPTION	
X ± .38	± 3°	eSATA 7P, Male, Right Angle, Reverse DIP, Small Spring on Bottom	
.XX ± .25		DWG. NO. CEAT-M07-S06	
.XXX ± .20		REV. A	
DO NOT SCALE DRAWING		SHEET 1 OF 1	SCALE NONE