

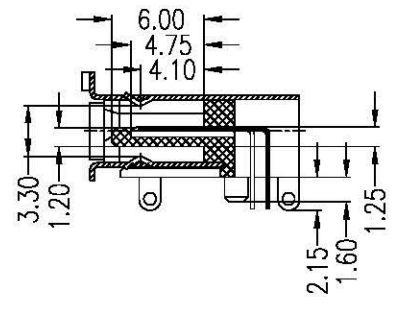
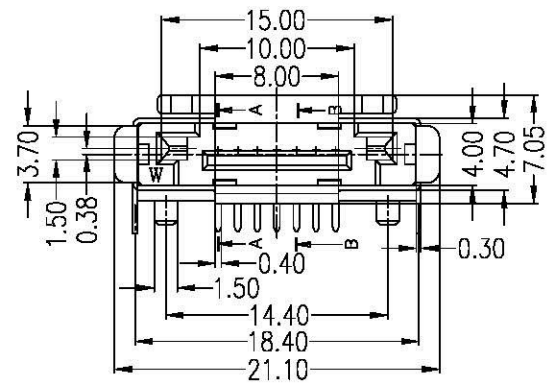
NOTES:

- Material:**
 Housing: LCP+50%G.F, UL 94V-0 Rated.
 Color: Black.
 Contact: Brass.
 Plating: Gold Plating over Nickel on Contact Area.
 Tin Plating on Solder Tail.
 Shell: Brass.
 Plating: Nickel Plating.

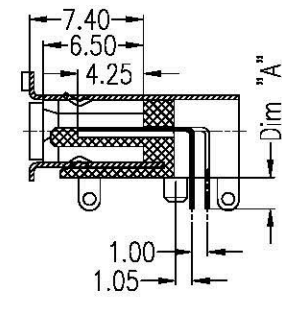
- Mechanical:**
 Insertion Force: 4080g Max.
 Withdrawal Force: 1020g Min.
 Durability: 2500 Cycles

- Electrical Specification:**
 Operation Voltage: 100VAC Max.
 Current Rating: 1.5 Ampere per Contact.
 Contact Resistance: 30mΩ Max.
 Insulation Resistance: 1000MΩ Min.
 Dielectric Withstanding Voltage: 500 VAC.

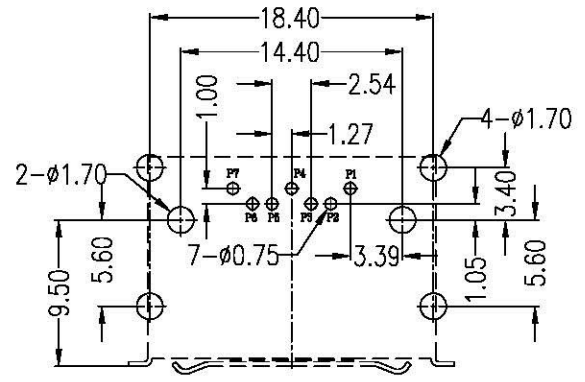
- Environmental:**
 Operating Temperature: -55°C to +125°C



SECT A-A



SECT B-B



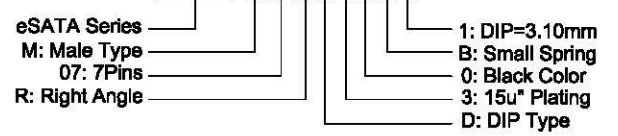
P.C.B Layout
t=1.60mm

Signal Name	
Pin Number	eSATA
P1	GND
P2	A+
P3	A-
P4	GND
P5	B-
P6	B+
P7	GND

Part No.	Dim"A"
CEAT-M07RD30-B1	3.10mm
CEAT-M07RD30-B2	2.05mm

Part Number:

CEAT-M07RD30-B1



A	07/13/06	RELEASED FOR PRODUCTION		DESCRIPTION	
REV	DATE	CAD GENERATED DRAWING, DO NOT MANUALLY UPDATE			
UNLESS OTHERWISE SPECIFIED, DIMENSIONS ARE IN MM. TOLERANCES ARE:		APPROVALS		DATE	
DECIMALS	ANGLES	DRAWN	Chris	07/13/06	
X ± .38	± 3°	CHECKED	Cindy	07/13/06	
.XX ± .25		APPV	Jason	07/13/06	
.XXX ± .20		DO NOT SCALE DRAWING			
SHEET 1 OF 1		SCALE NONE		DWG. NO.	CEAT-M07-S01
				REV.	A



www.allconnectors.de info@allconnectors.de
 Tel.: 0049 711 7009508 Fax: 0049 711 7009504
 70794 Filigretal - Germany Kettelerstr. 25

DESCRIPTION
**eSATA 7P, Male, Right Angle, Standard
 DIP=3.10mm, Small Spring on Bottom**