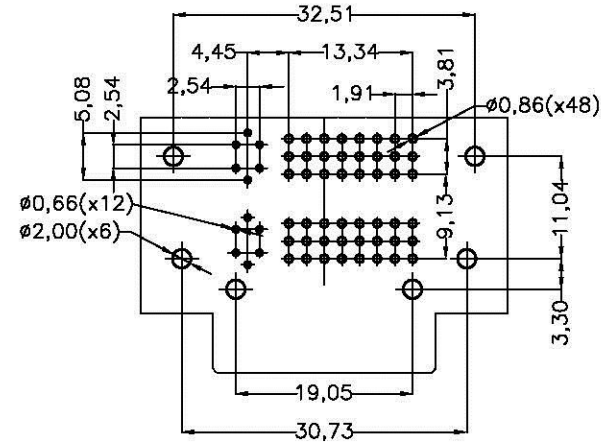
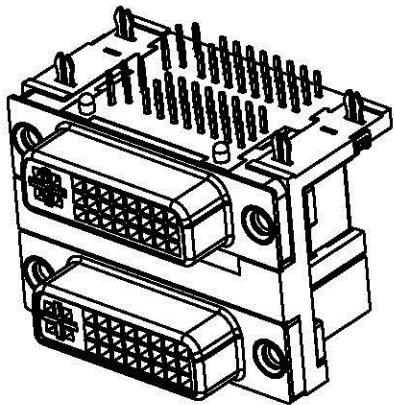
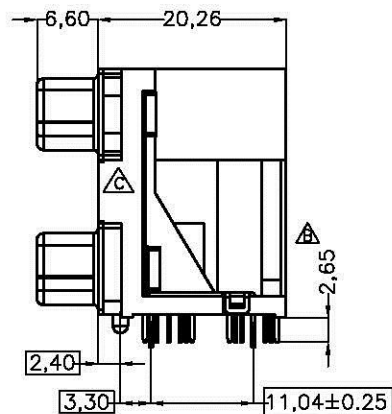
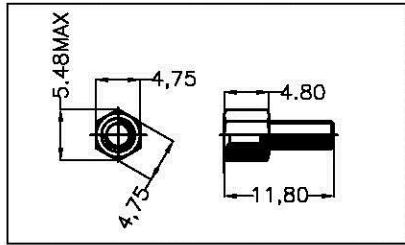
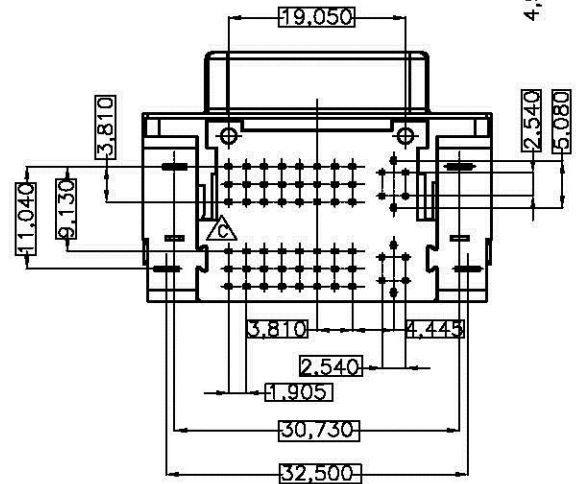
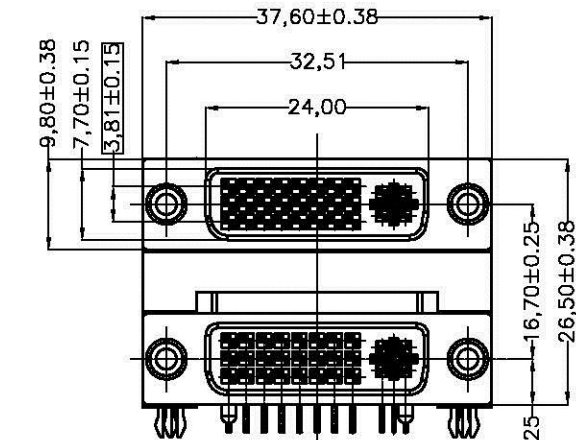


1 2 3 4 5 6 7 8 9 0

J
I
H
G
F
E
D
C
B
A



P.C.B LAYOUT
BOTTOM VIEW

NOTES:
 SHELL:SPCC,T=0.50mm,NICKEL PLATED,
 HOUSING: LCP UL94V-0,COLOR:BLACK
 DVI HOUSING: PBT UL94V-0,COLOR:WHITE
 CONTACT MATERIAL:PHOSPHOR BRONZE
 CONTACT FINISH:GOLD/TIN FINISHED
 JACK SCREWS:BRASS MATERIAL,NICKEL FINISHED
 WITH 4#-40 THREADED ATTACHED

 ELECTRICAL CHARACTERISTICS
 CONTACT CURRENT RATING: 5.0 AMPS
 CONTACT RESISTANCE: 30m OHMS MAX
 DIELECTRIC WITHSTANDING VOLTAGE: 500V AC PER MIN
 INSULATION RESISTANCE: 1000M OHMS MIN
 TEMPERATURE RATING: -55°C~+105°C
 重點標示尺寸: X X

DVIB1-FRNH-24+5-LF
LEADFREE

RoHS Compliant

All connectors

www.allconnectors.de
 TEL: 0049 (0) 49 913 409518
 AL/91 Hildenerstr. - Germany

info@allconnectors.de
 FAX: 0049 (0) 49 913 409514
 Kerkerstr. 45

PART NO. DVIB1-FRNH-24+5

DWG NO. DVIB1-FRNH-24+5

FILE NO.

UNIT / mm

SCALE 1:1

CHECKED BY CY

DRAWING BY

PROJECTION

TOLERANCES ARE

X ± 0.2
 .XX ±
 .XXX ±
 AWG

DESCRIP TION:

雙層 DVI 24+5 附螺絲 RoHS

AREA	REVISIONS	HK	DATE
------	-----------	----	------