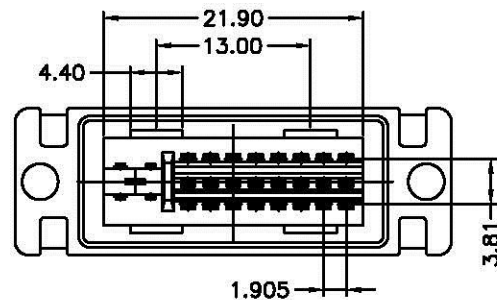
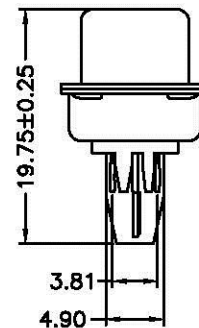
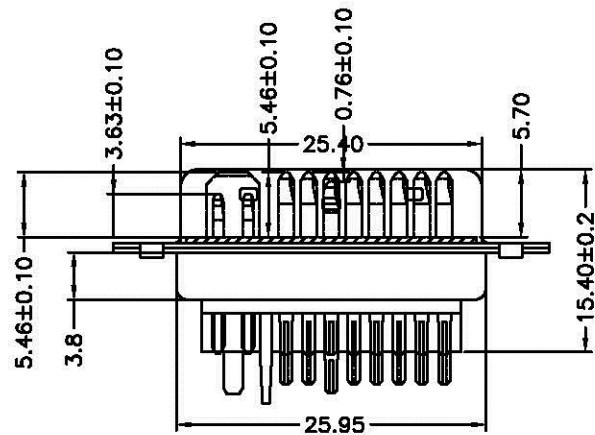
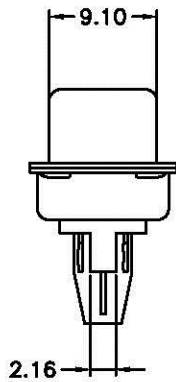


MATERIALS

- 1. HOUSING : PBT+25%
- 2. TERMINAL : BRASS GOLD AND TIN PALTED
- 3. FRONT SHIELD : SPCC NICKEL PALTED
- 4. BACK SHIELD : SPCC TIN PLATING PLATED

SPECIFICATION:

- 1. CURRENT RATING: 1.5AMP. MAX
- 2. DIELECTRIC WITHSTANDING VOLTAGE
500V AC R.M.S. FOR ONE MINUTE
- 3. INSULATION RESISTANCE: 1000M OHMS MIN. AT 500V DC
- 4. CONTACT RESISTANCE: 20M OHMS MAX
- 5. OPERATING TEMPERATURE: 0°C TO +85°C
- 6. MAX. PROCESSING TEMPERATURE:
230°C FOR 30~60 SECONDS (HI.-TEMP. PLASTIC)



PART NO.	PLATING	COLOR
DVI-PS-24+5	GOLD(3u') OR TIN PLATED	WHITE

NOTE:

THE 14PIN HEGHEST SHORT 0.76m/m OTHER PIN

All Connectors

www.allconnectors.de info@allconnectors.de
Tel.: 0049 711 7009503 Fax: 0049 711 7003504
70794 Filderstadt Germany Kettnerstr. 25

PART NO. DVI-PS-24+5

DWG NO. DVI-PS-24+5

FILE NO.

UNIT / mm

SCALE 1:1

CHECKED BY CY

DRAWING BY

PROJECTION



TOLERANCES ARE

.X ± 0.2
.XX ± 0.1
.XXX ±
AWG

DESCRIPTION:

DVI 24+5公半金黑SH

AREA

REVISIONS

HK

DATE